

Accessories

Audio Only Handset

Does not require additional power

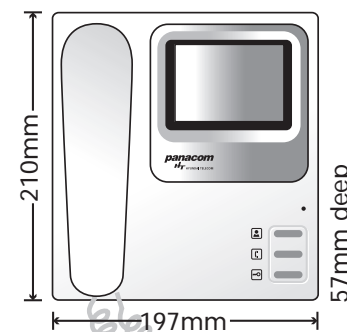


Colour Screen Surround

Available in yellow, blue and green
Silver surround supplied in standard kit



Dimensions



Video Memory Unit

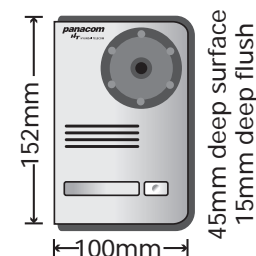
Colour Unit - 60 images

B&W Unit - 64 images



Electrical Door Latch

Surface Mount
Recess Mount



Ordering Information

PART No.	DESCRIPTION
PAN630SK/PAN630FK	Colour video intercom Kit C/W Monitor, Power Supply & Door Camera (Surface or Flush Mount)
PAN620SK/PAN620FK	B&W video intercom Kit C/W Monitor, Power Supply & Door Camera (Surface or Flush Mount)
PAN620M	B&W Monitor
PAN630M	Colour Monitor
PAN630SC/PAN630FC	Colour 1 Push Button Camera (Surface or Flush Mount)
PAN620SC/PAN620FC	B&W 1 Push Button Camera (Surface or Flush Mount)
PAN632SC/PAN632FC	Colour 2 Push Button Camera (Surface or Flush Mount)
PAN622SC/PAN622FC	B&W 2 Push Button Camera (Surface or Flush Mount)
PAN633SC/PAN633FC	Colour 3 Push Button Camera (Surface or Flush Mount)
PAN623SC/PAN623FC	B&W 3 Push Button Camera (Surface or Flush Mount)
PAN620HS	Audio Only Handset
PAN800LS/PAN800LR	Electric Door Latch (Surface or Recess Mount)
PAN620V	B&W Video Memory Unit (64 image cuts)
PAN630V	Colour Video Memory Unit (60 image cuts)
PAN600FY	Colour Screen Surround (Yellow)
PAN600FB	Colour Screen Surround (Blue)
PAN600FG	Colour Screen Surround (Green)

Available from



website: www.psaproducts.com.au

Due to our commitment to continuous improvement specifications may change without notice.



panacom[®]
HT HYUNDAI TELECOM

video intercom systems



Colour Monitor



1 Push Button Camera

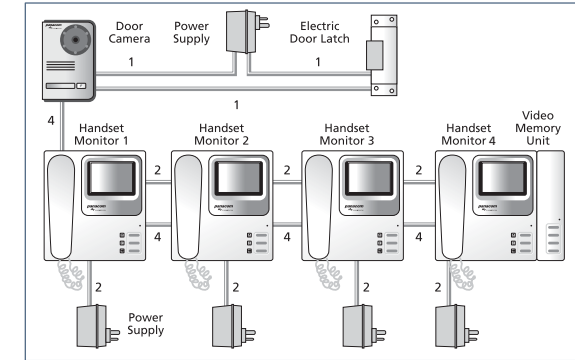


B&W Monitor

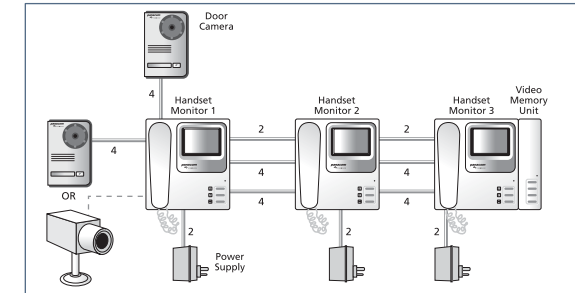
2 Push Button Camera

3 Push Button Camera

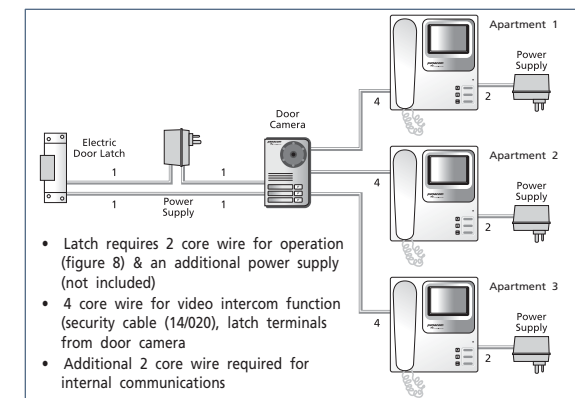
Wiring - Single Camera



Wiring - 2 Cameras



Wiring - Apartment System



600 Series Video Intercom System

Panacom Hyundai Telecom 600 Series Video Intercom System combines an innovative and sophisticated design with the latest in intercom technology.

The 600 Series offers an extensive range of options including; choice of B&W or colour monitor, 1, 2 & 3 push button camera for single house apartments or units, and a wide choice of accessories including a Video Memory Unit to record images of visitors while you're away or at home. Choice of 4 different colour screen surrounds to match any decor and an audio only handset are available to extend the system.

The system generates superior picture quality and is able to be connected with a CCTV security camera. Other features of this state of the art system include; infrared illumination for low level light conditions, intercom features for internal communication and aluminium covered door camera for long durability and performance in the outdoors.

The 600 Series is expandable up to four monitors and two door cameras, and also offers monitor function, internal communication and door release, when combined with an optional electric door latch.

The Panacom Hyundai Telecom 600 Series Video Intercom System is one of the most advanced, state of the art systems currently available on the market and will greatly satisfy any installation needs and residential requirements.

- Superior picture quality
- Connects with CCTV security cameras (PAL Camera)
- Infrared illumination for low light conditions
- Expandable up to 4 monitors and 2 door cameras
- Intercom features for internal communication
- Adjustable camera angle (up/down)
- Door release and monitor function
- On/Off, brightness, contrast and volume controls
- Surface or flush mount aluminium covered cameras
- Video memory compatible
- 2 Year Warranty