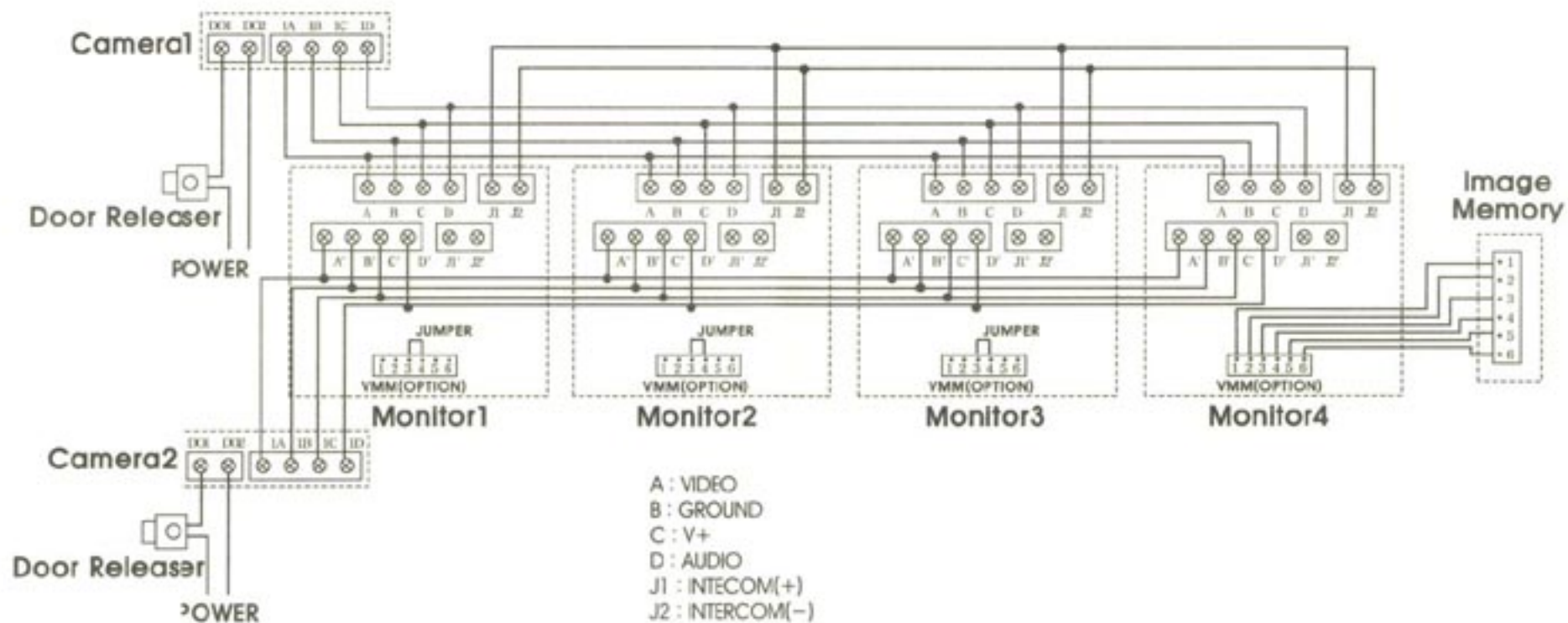


2 Camera & 4 Monitor & Image Memory (Optional)"

WIRING DIAGRAM

1. After system wiring and installation, restart system power.(System set-up will be proceeded automatically after turning on the monitor power)
2. Door Releaser shown below specification : AC-10A/120V and less, DC-10A/24V and less.

■ 2 Cameras(PAN620C/PAN630C) & 4 Monitors & Image Memory(OPTION)



*** ADDITIONAL POWER SUPPLY REQUIRED FOR DOOR RELEASE FUNCTION. ***