

# PSA LifeSaver

## LIF6800

Mains Powered 240V AC  
with 9V DC Battery Backup



The PSA Lifesaver 6800 model is a mains powered, 9V battery backed smoke alarm. The alarm uses photoelectric technology and is designed to be surface mounted on the ceiling or wall. It can be used as a single stand alone unit, or can be interconnected with up to 24 units.

When used with the 6000WB (wireless RF interlink baseplate), the alarm offers wireless interlinking capabilities as well as remote test/hush functionality with 6000THL (wireless smoke alarm controller)

### Features

- Advance Sensor**  
New photoelectric sensor technology to reduce sensitive activations. Designed to suit all Australian conditions.
- Operation**  
Single station or interconnect up to 24 units. Hard-wired or wireless using wireless base (sold separately).
- Bug screen**  
Ultra small bug screen over the sensor chamber reduces bugs and insect false alarms.
- Mains powered**  
240VAC with a 9VDC replaceable battery backup.
- Anti-static sensor**  
Conductive smoke chamber repels dust particles reducing false activations.
- Sounder**  
Loud 85dBA sounder at 3m (ISO 8201)

### Specifications

<b>Model</b>	6800
<b>Part Number</b>	LIF6800
<b>Sensor Type</b>	Photoelectric Advance Sensor
<b>Supply Voltage</b>	240V AC 50Hz
<b>Power Consumption</b>	10mA max per alarm, 4mA (standby)
<b>Battery Back-up</b>	9V battery (Duracell Alkaline supplied)
<b>Interconnecting</b>	Interconnectable up to 24 units
<b>Alarm Volume</b>	85dBA at 3 metres
<b>Alarm Signal Pattern</b>	ISO8201 (T3 - Repeat 3 long beeps)
<b>Temperature Range</b>	0°C - 40°C
<b>Humidity Range</b>	Up to 93% RH (non-condensing)
<b>Hush Function</b>	Silences alarm for 9 minutes Red LED flashes every 10 seconds Dense smoke will override hush function
<b>Low Battery Hush</b>	Silence low battery beeping for 8 hours
<b>Alarm Duration</b>	Alarm will sound for as long as smoke is detected, then unit will automatically reset when smoke clears.
<b>Alarm Indication</b>	Red LED flashes every second. When interconnected, only the red LED of initiating unit will flash.
<b>Alarm Memory</b>	Red LED flashes 3 times every 40 seconds. Pressing Test button will sound a short beeping sequence.
<b>Chamber Monitoring</b>	3 beeps every 40 seconds. Indicates maintenance is required.
<b>Indicator LEDs</b>	Green LED - Power indicator Red LED - Alarm status indicator, differentiated by frequency of flash.
<b>Wiring Terminal</b>	9V, Active, Switch, Neutral, Loop
<b>Dimensions</b>	130mm (diameter) x 45mm (depth)
<b>Approvals</b>	ActivFire, SAI Global, RCM, AS3786:2014
<b>Warranty</b>	10 years

This product must be installed by a licensed electrical contractor.  
Specifications may change without notice



**10** Year  
Warranty

# PSA LifeSaver

## LIF6800

Mains Powered 240V AC  
with 9V DC Battery Backup



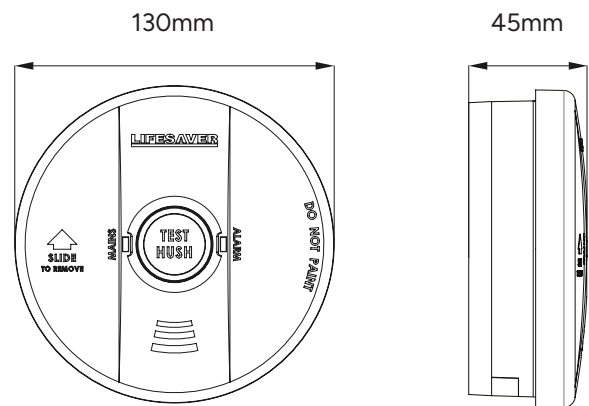
### Compatibility

<b>6800</b>	240V smoke alarm 9V battery backup (replaceable)
<b>6800RL</b>	240V, 10yr backup battery (non-replaceable)
<b>6000DCW</b>	10yr wireless smoke alarm
<b>6000WB</b>	Wireless RF interlink baseplate
<b>6000THL</b>	Smoke alarm control (wireless) (6800 and 6800RL requires 6000WB)
<b>6000WIRM</b>	Wireless interconnect module

### Accessories

<b>LIFHA240</b>	Heat alarm with 9V battery back
<b>LIFCO240</b>	Carbon monoxide alarm
<b>LIF5800ACF</b>	Flush smoke alarm 240V, 10yr backup battery
<b>LIFSAIR</b>	Isolation relay (Gen 2)
<b>LIFSAIRMB</b>	Isolation relay (Gen 2) within mounting block
<b>LIFMB3848</b>	Mounting block
<b>LIFLT711</b>	Smoke alarm tester (aerosol)

### Dimensions



Tested & Complies to  
Australian Standards  
AS3786:2014



Item Code	Single	Pack	Carton	Pallet
<b>Quantity</b>	1	6	24	648
<b>Barcode</b>	9318475002155	19318475002152	29318475002159	