

PSA LifeSaver

LIF6000DCW

10 Year Lithium Battery (non-replaceable)
with Wireless RF Interlink



The PSA Lifesaver 6000DCW model is a 10 year lithium battery powered smoke alarm with an in-built wireless RF interlink. It is designed to be interlinked with other 6000DCW units & Lifesaver 6000 series smoke alarms fitted with a 6000WB base.

When paired with the 6000THL (wireless smoke alarm controller), the 6000DCW smoke alarm can be operated via remote control, offering effortless test/hush functionality.

The alarm uses photoelectric technology is designed to be surface mounted on the ceiling or wall. 6000DCW can be used as a single stand alone unit, or be interconnected with up to 24 units.

Features

- Wireless Interconnect**
Operate as single station or wirelessly interconnect up to 24 units.
- Anti-static sensor**
Conductive photoelectric smoke chamber repels dust particles reducing false activations.
- Dual 10 Year Battery**
Lithium (non-replaceable sealed) battery operated smoke alarm with wireless RF interlink
- Sounder**
Loud 85dBA sounder at 3m (ISO 8201)



10 Year
Warranty

Specifications

Model	6000DCW
Part Number	LIF6000DCW
Sensor Type	Photoelectric
Smoke Alarm Power	Panasonic/FDK 10year 3VDC CR17335 Fixed battery (non-replaceable)
RF Power	Panasonic/FDK 10year 3VDC CR17455 Fixed battery (non-replaceable)
Interconnecting	Interconnectable up to 24 units
Alarm Volume	85dBA at 3 metres
Alarm Signal Pattern	ISO8201 (T3 - Repeat 3 long beeps)
Temperature Range	0°C - 40°C
Humidity Range	Up to 95% RH (non-condensing)
RF Frequency	918MHz
RF Range	100m line of sight 30m indoors
Hush Function	Silences alarm for 10 minutes Red LED flashes every 10 seconds Dense smoke will override hush function
Alarm Duration	Alarm will sound for as long as smoke is detected, then unit will automatically reset when smoke clears.
Alarm Indication	Red LED flashes every second. For interconnected, only the red LED of initiating unit will flash.
Chamber Monitoring	Red LED flashes 10 times and chirps every 30 seconds. Indicates maintenance is required.
Indicator LEDs	Red LED - Alarm status indicator, differentiated by frequency of flashes.
Approvals	ActivFire RCM AS3786:2014 AS4268:2017
Warranty	10 years

This product must be installed by a licensed electrical contractor.
Specifications may change without notice

PSA LifeSaver

LIF6000DCW

10 Year Lithium Battery (non-replaceable)
with Wireless RF Interlink



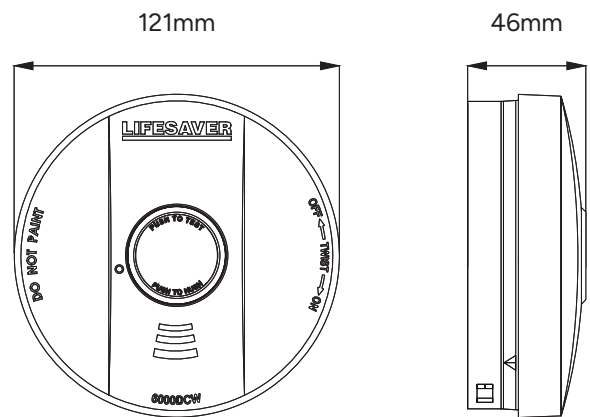
Compatibility

6000THL	Smoke alarm control (wireless)
6000WB	Wireless baseplate
6800	240V, 9V battery backup smoke alarm (requires 6000WB)
6800RL	240V, 10yr backup battery smoke alarm (non-replaceable) (requires 6000WB)
6000	240V, 9V battery backup smoke alarm (requires 6000WB)
6000RL	240V, 10yr backup battery smoke alarm (non-replaceable) (requires 6000WB)
LIF6000WIRM	Wireless interconnect module for 6000 Series accessories and auxiliary devices

Accessories

LIFHA240	Heat alarm with 9V battery backup
LIFCO240	Carbon monoxide alarm
LIFLT711	Smoke alarm tester (aerosol)

Dimensions



Australian Standard
AS3786:2014
Lic:SMK1377
SAI Global



Tested & Complies to
Australian Standards
AS3786:2014



A family owned
Australian
business

Item Code	Single	Pack	Carton
Quantity	1	6	24
Barcode	9318475001806	19318475001803	29318475001800