

PSA LifeSaver

LIF6000THL

Wireless Test/Hush/Locate Controller
for Lifesaver 6000 Series Smoke Alarms



The PSA Lifesaver 6000THL smoke alarm controller allows compatible Lifesaver 6000 series smoke alarms to be conveniently tested, hushed and located, as well as offering a memory feature and status indication.

The 6000THL controller is wireless, and provides home owners with a more convenient method to identify which smoke alarm has activated, easily silence alarms and also promote regular testing of smoke alarms.

The 6000THL can control the Lifesaver 6000DCW wireless 10-year smoke alarms, and is also capable of controlling 6000 & 600ORL model smoke alarms when the units are mounted on 6000WB wireless bases.

6000THL remote control can be portable, used with mounted holding bracket, or unit can be fixed to wall.

Features

- 10 Year Lithium Battery**
The battery will last the entire lifespan of the controller.
- Single Button Operation?**
One button for testing and hushing smoke alarms.
- Flexible Mounting**
Mount the cradle on the wall for easy and portable access or mount the controller for fixed location operation.

Specifications

| | |
|-------------------------------|----------------------------------------------------------------------------------------------------------------------------------------|
| Model | 6000THL |
| Part Number | LIF6000THL |
| Power | 10 year lithium battery (non-replaceable) |
| RF Frequency | 918MHz |
| RF Range | 100m line of sight 30m indoors |
| Operation | Up to 23 units |
| Temperature Range | 0°C - 40°C |
| Humidity Range | Up to 93% RH (non-condensing) |
| Test/Alarm Indication | Red LED flashes 6 times repeatedly (in two groups of three flashes) |
| Locate Indication | Green LED flashes once every 2 seconds |
| Hush Indication | Green LED flashes 4 times quickly, then off |
| Memory Indication | Red LEDs flash 3 times every 40 seconds. ('Memory' LED on Wireless controller and on initiating smoke alarm) |
| Low Battery Indication | Amber LED flashes every 30 seconds |
| Dropout Indication | Amber LED flashes every 2 seconds |
| Approvals | AS/NZS 4268:2017 AS/NZS 3786:2014 (Selected Clause) AS/NZS CISPR 32:2015 AS/NZS 62368.1:2018 AS/NZS 2772.2:2016 AMD 1:2018 |
| Warranty | 2 years |

This product must be installed by a licensed electrical contractor. Specifications may change without notice



2 Year
Warranty

PSA LifeSaver

LIF6000THL

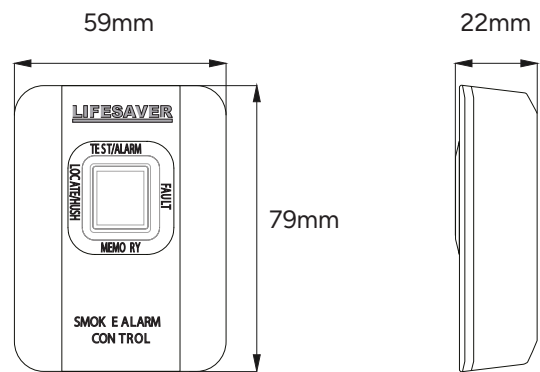
Wireless Test/Hush/Locate Controller
for Lifesaver 6000 Series Smoke Alarms



Compatibility

| | |
|----------------|---------------------------------------------------------------------------------|
| 6000DCW | 10yr wireless smoke alarm |
| 6000WB | Wireless baseplate |
| 6800 | 240V, 9V battery backup smoke alarm (requires 6000WB) |
| 6800RL | 240V, 10yr backup battery smoke alarm (non-replaceable) (requires 6000WB) |
| 6000 | 240V, 9V battery backup (requires 6000WB) |
| 6000RL | 240V, 10yr backup battery (non-replaceable) (requires 6000WB) |

Dimensions



Tested & Complies to
Australian Standards
AS3786:2014



| Item Code | Single | Pack | Carton |
|-----------------|---------------|----------------|----------------|
| Quantity | 1 | 12 | 48 |
| Barcode | 9318475001820 | 19318475001827 | 29318475001824 |