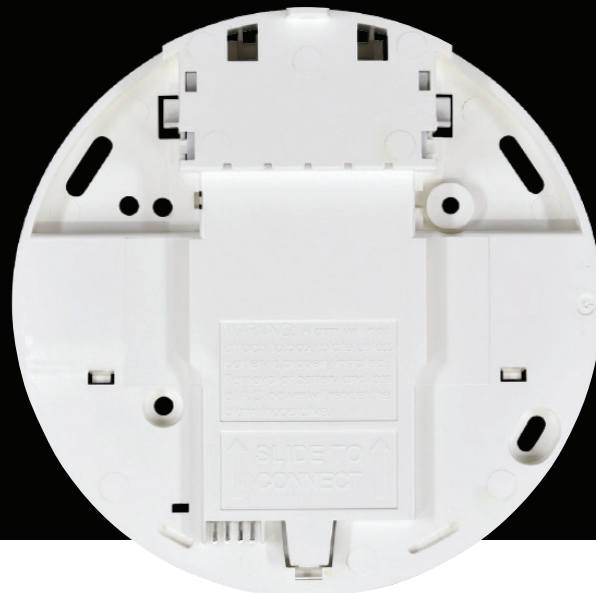


# PSA LifeSaver

## LIF6000WB

RF Interlink Baseplate for LIFESAVER  
6000 Series Smoke Alarms



The PSA LIFESAVER 6000WB is an auxiliary product to the 6000 and 6000RL smoke alarms. It is a smoke alarm baseplate with an in-built RF interlink module.

When a LIFESAVER 6000-series mains powered smoke alarm is installed onto it, it can wirelessly interlink with other 6000-series smoke alarms also mounted onto 6000WB bases. As a result, when the smoke alarm sounds, the 6000WB will cause other smoke alarms in the same RF interlinked network to also go into alarm. The 6000WB, when paired with the 6000THL wireless smoke alarm controller, can remotely test and hush 6000 and 6000RL model smoke alarms.

The PSA LIFESAVER 6000WB RF interlink protocol is wirelessly compatible with the PSA LIFESAVER 6000DCW wireless 10-year lithium battery (non-replaceable) smoke alarm.

### Features

- **Wireless Interconnection**  
Allows the LIF6800 and LIF6800RL smoke alarms to be wirelessly connected to each other or to other wireless products in the PSA Lifesaver range.
- **Fully Monitored and Supervised Network**  
Safety is at the forefront with active network monitoring, ensuring the system remains connected.

### Specifications

<b>Model</b>	6000WB
<b>Part Number</b>	LIF6000WB
<b>Power</b>	Powered from smoke alarm
<b>Interconnecting</b>	Interconnectable up to 24 units
<b>Power Consumption</b>	From smoke alarm
<b>RF Frequency</b>	918MHz
<b>RF Range</b>	100m line of sight 30m indoors
<b>Temperature Range</b>	0°C to 45°C
<b>Humidity Range</b>	Up to 95% relative humidity (RH)
<b>Approvals</b>	ActivFire AS/NZS 4268:2017 AS/NZS 60950.1:2015 RCM
<b>Warranty</b>	5 years

This product must be installed by a licensed electrical contractor. Specifications may change without notice

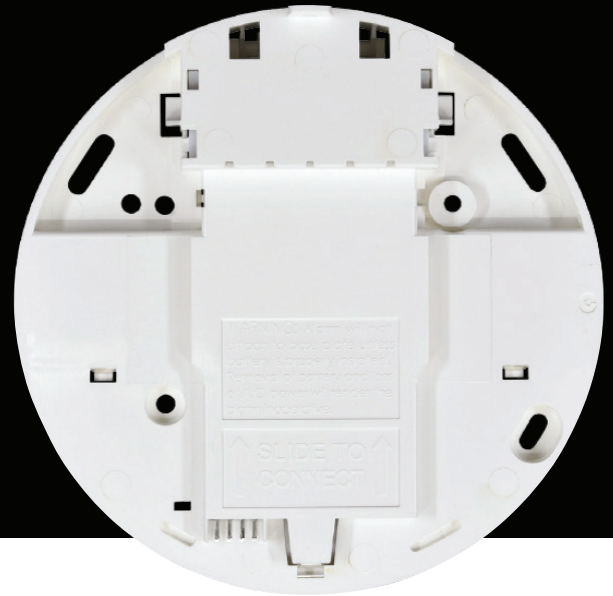


**10** Year  
Warranty

# PSA LifeSaver

## LIF6000WB

RF Interlink Baseplate for LIFESAVER  
6000 Series Smoke Alarms



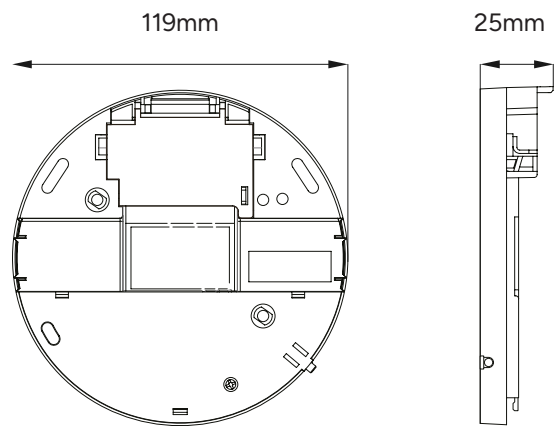
### Compatibility

<b>6800</b>	240V, 9V battery backup smoke alarm (requires 6000WB)
<b>6800RL</b>	240V, 10yr backup battery smoke alarm (non-replaceable) (requires 6000WB)
<b>6000DCW</b>	10yr wireless smoke alarm
<b>6000THL</b>	Smoke alarm control (wireless)

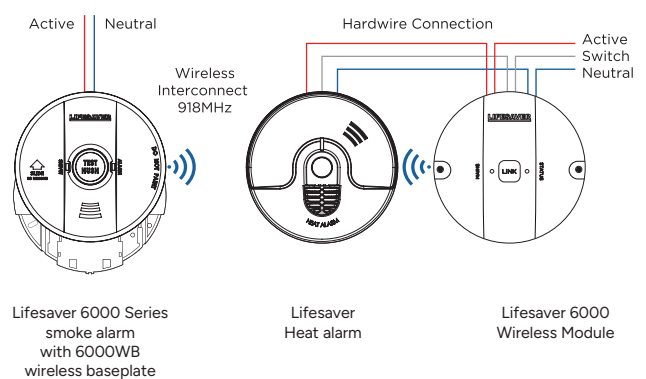
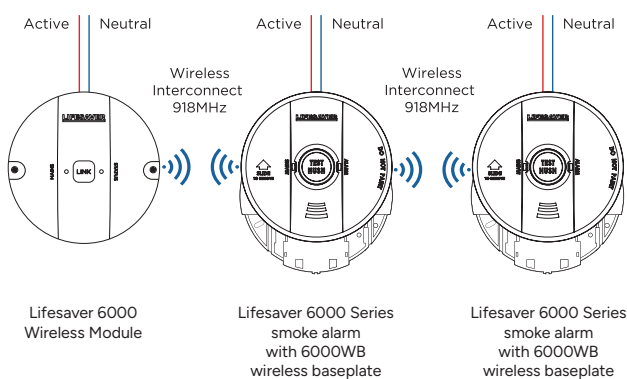
### Accessories

<b>LIFSAIR</b>	Isolation relay (Gen 2)
<b>LIFSAIRMB</b>	Isolation relay (Gen 2) within mounting block
<b>LIFMB3848</b>	Mounting block
<b>LIFLT711</b>	Smoke alarm tester (aerosol)

### Dimensions



### Technical Specifications



Item Code	Single	Pack	Carton
<b>Quantity</b>	1	12	48
<b>Barcode</b>	9318475001813	19318475001810	29318475001817