



GEMGK310

Dual Voltage Electric Strike



Features

The GK310 electric strikes can be used on either 12 or 24 VDC and are easily changeable between fail-safe and fail-secure in the field. These electric strikes are ideally suited and meet the varying needs of our customers.

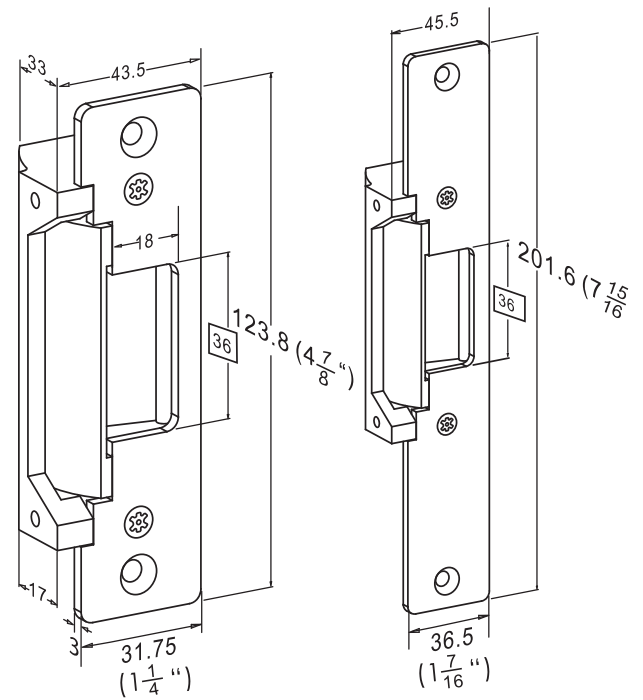
The GK310 electric strikes (ANSI-sized) are designed to use with locksets (ex. spring latch), whose maximum latch throw is 15mm for inswing doors. The units are designed to be used on most hollow metal/aluminium frames. An additional face plate for wooden frames is also included. Stainless steel face plate ensures strength and long life.

Specifications

Operating Voltage	12 / 24VDC
Current Draw	0.25 A/12VDC; 0.15 A/24 VDC (at temperature 20°C)
Operating Temperature	-10°C ~ 45°C
Humidity	0 ~ 95% non-condensing
Material	Stainless Steel Faceplate , Aluminum Alloy Case
Tested	to over 1,000,000 cycles
Net Weight	243g
Strength Test	2000lb jaw strength pull testing
Supplied with additional long face plate for wooden frames	

*Refer to Installation and User Manual for further information and programming.

Dimensions (units mm)





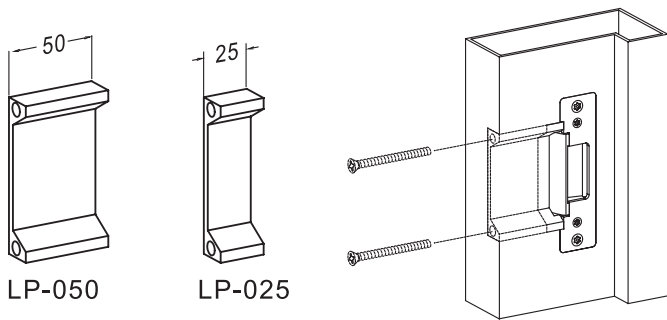
GEMGK310

Dual Voltage Electric Strike



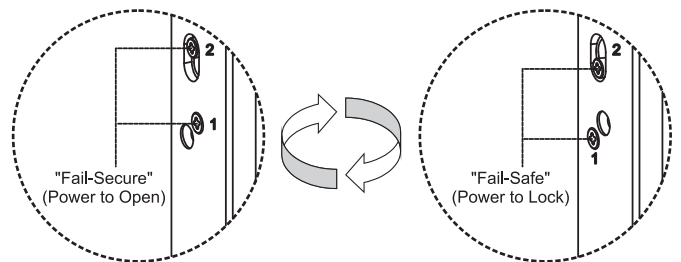
Optional Accessory

Lip extension brackets for the wide jamb.

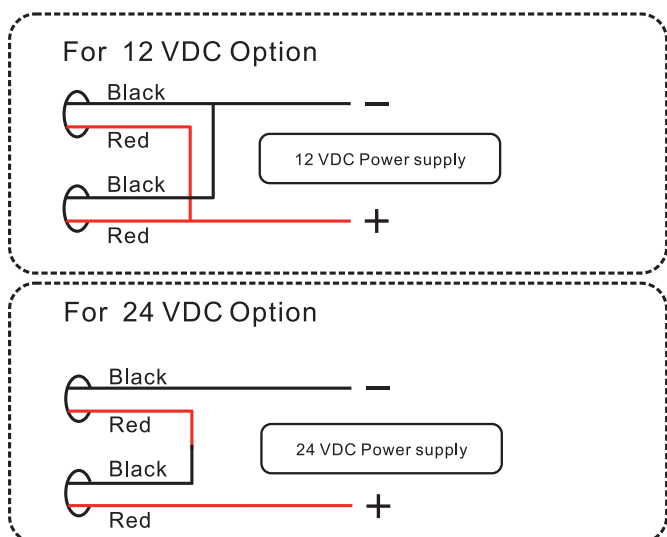


Version Changeable

The GK-310 electric strike can easily be changed between failsafe and fail-secure modes. This unique design enables flexibility to meet varying needs and requirements of end users.



Voltage Switchable



Long Life Solenoids

Special solenoids designed for strength and long life guarantee a lifetime of at least 1,000,000 cycles.

CSIRO Fire-Resistant Certificate

This product, its materials and assemblies have been proven to be fire resistant in accordance with the test procedures of Sponsored Investigation FSV 0609 and the terms of clause 4.1 of Australian Standard 1905, Part 1-1997.

