

# PSA LifeSaver

## LIF5800ACF

Mains Powered 240V AC  
with 10 Year Battery Backup



The PSA LIFESAVER 5800ACF is a low profile AC/DC powered photoelectric smoke alarm that operates on a 240V power source with a non-removeable 10 year lithium battery backup. This advanced smoke alarm has the ability to function as a stand alone unit or in an interconnected system. The PSA Lifesaver 5800ACF is compatible with other PSA Lifesaver smoke alarms, heat alarm, carbon monoxide alarm and ancillary devices.

### Features

- Low profile flush mount design
- Photoelectric Sensing Technology.
- 240VAC with sealed 10 year lithium battery backup, no longer need to change battery.
- One button Test and Hush feature.
  - Large easy design button to Test alarm operation and Hush to silence nuisance alarms.
- Two LEDs.
  - Green LED indicates AC condition.
  - Red LED indicates alarm condition.
- Alarm memory.
- Dual insect screens over outer perimeter and inner sensor chamber to reduce nuisance alarm.
- 90mm cut-out, down-light style mounting for quick and easy installation.

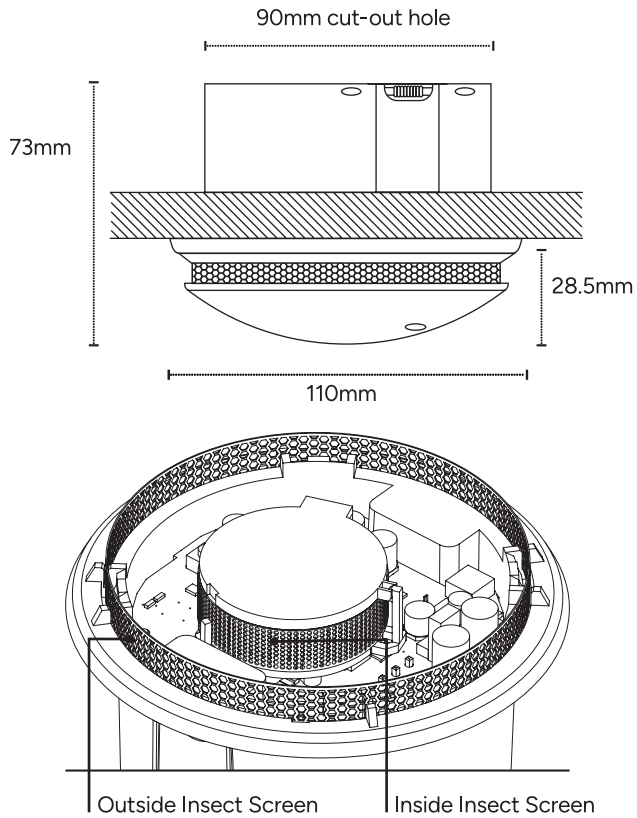
### Specifications

<b>Compatible with</b>	All PSA Lifesaver range of smoke alarms, heat alarm, CO alarm and auxiliary devices.
<b>Detection Method</b>	Photoelectric sensing technology
<b>Operation</b>	Stand-alone or interconnect up to 24 units
<b>Power Requirement</b>	240V AC 50Hz sine wave supply.
<b>Power Backup</b>	Non-removeable 10 year lithium battery
<b>Rating</b>	4mA max per alarm
<b>Alarm sound</b>	85dB at 3m
<b>Low battery indication</b>	Sounds a chirp at 43 second intervals, in addition to red LED flashing
<b>Alarm duration</b>	As long as smoke is present, unit automatically resets when smoke clears
<b>Alarm indication</b>	Audible alarm, 3 long beeps repeating. Flashing red LED every 0.5 seconds.
<b>Temperature Range</b>	0°C to 40°C
<b>Humidity Range</b>	Up to 93% relative humidity (RH)
<b>Size</b>	110mm Wide x 73mm High. 28.5mm High installed.
<b>Wiring</b>	Quick connect 4 pin plug
<b>LED</b>	Green, power indicator Red, alarm indicator
<b>Warranty</b>	10 years
<b>Compliance</b>	Activfire Approved and listed to AS3786:2014 Australian standards certified product. Australian Electrical Authority Approval. RCM

\*Refer to Installation and User Manual for further information and programming.

**10** Year  
Warranty

Dimensions



Item Code	Single	Pack	Carton
Quantity	1	6	24
Barcode	9318475001592	19318475001599	29318475001599