

PSA Centrii

CEN1D350W

Wi-Fi Dimmer



Features

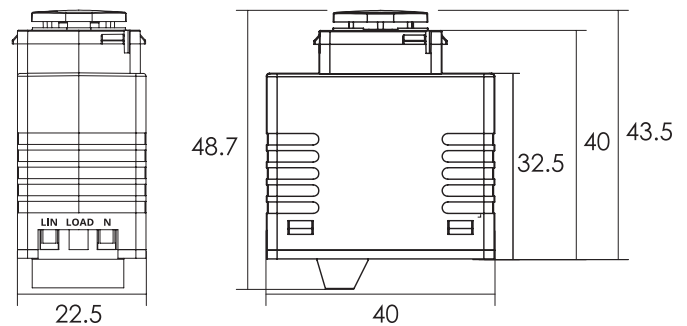
- Dimmer uses direct L-N connections
- In-built On/Off button
- Wi-Fi connectivity (2.4GHz Wi-Fi only)
- Remote control via App on iOS or Android smart devices
- 7-day On/Off Timer
- Brightness control (requires compatible dimmable bulbs)
- Device firmware
 - wireless updates via App

Specifications

Rated supply voltage	220 - 240V~ 50/60Hz
Rated Load (Resistive)	2 - 350W
LED load	2 - 200W
Dimming method	Trailing Edge
Dimming range	1%-100% (for compatible dimmable LED lights)
Wireless mode	Wi-Fi
Operating frequency	2.4GHz
Dimensions	40 x 22.5 x 48.7mm
Weight	35g
Operating temperature	-20~40°C

Specifications may change without notice

Dimensions



PSA Centrii App

Free app provided,
support remote viewing
on iOS or Android



CEN1D350W Datasheet V1.00, Document 126. Published 19/06/2024 - Specifications may change without notice.

PSA Products Pty Ltd

17 Millicent St, Burwood, VIC 3125 Australia | T. 1300 772 776 | enquiry@psaproducts.com.au | psaproducts.com.au

