

PSA Centrii

CENIPCK825TH2

8ch NVR with 2TB & 5MP Full Colour Turrets



PSA's CCTV package is a perfect to start for your security needs. 4 x 5MP high resolution cameras with dual lights acts as a deterrent and allows full colour vision at night when human intrusion is detected. 8ch NVR allows further expansion to 8 cameras along with in-built 2TB HDD for storage. Receive alerts and view all on the PSA app.

Features

CAMERA

- 1/3" progressive scan CMOS
- 2.8mm fixed lens
- Max resolution 2560×1920@20fps
- DWDR, 3D DNR, HLC, BLC, Defog
- Support intrusion and line crossing based on human detection
- Built-in IR LED and white lights, IR distance up to 20m, white light distance up to 20m
- 12V DC/PoE power supply
- IP66

NVR

- Up to 8ch IP cameras access
- Up to 8MP resolution recording
- 1 SATA hard disk up to 8TB
- Smart search & playback
- HDMI & VGA video output



PSA Centrii App

Free app provided, support remote viewing on iOS or Android



Specifications

CENIPCT528DL2 (Turret Cameras)	
Camera	
Image Sensor	1/3" Progressive Scan CMOS
Electronic Shutter	Auto/Manual, 1/5 ~ 1/20,000s
Min. illumination	Color: 0.1 Lux @ (F1.6,AGC ON), 0 Lux with illumination on
S/N Ratio	55 dB
Day & Night	IR cut filter
Wide Dynamic Range	DWDR
Illumination Distance	IR distance up to 20m (66.61 ft) White light distance up to 20m (66.61 ft)
Illumination On/Off Control	Auto/Manual
Pan/Tilt/Rotation Range	Pan: 0° ~ 360°, Tilt: 0° ~ 75°, Rotation: 0° ~ 360°
Lens	
Lens Type	Fixed focal
Iris	Fixed Iris
Focal Length	2.8 mm
F Number	F1.6
Angle of View	H: 93.2°, V: 50.2°
Video	
Max. Resolution	2560(H)×1920(V)
Streaming Capability	2 Streams
Stream/Frame Rate	Main Stream: 2560×1920, 2560×1440, 2304×1296, 1920×1080, 1280×720, 704×576 @ 20fps Sub Stream: 640×360 @ 20fps
Bit Rate Control	CBR/VBR
Bit Rate	Main Stream: 512kbps ~ 6144kbps Sub Stream: 128kbps ~ 1536kbps
Image	
Image Adjustment	Brightness/Sharpness/Contrast/Saturation
White Balance	Auto/Manual
Mirror	Support

Specifications

CENIPCT528DL2 (Turret Cameras)	
Exposure Mode	Auto/Manual
Day/Night Setting	Auto, Day, Night, Timing
Noise Reduction	2D/3D DNR
Image Enhancement	WDR, HLC, BLC, Defog
Privacy Masking	Support
Audio	
Audio Compression	G.711 (64kbps)
Alarm Event	
Motion Detection	Support
Smart Function	Support intrusion and line crossing based on human detection
Network	
Protocols	IPv4, RTSP/RTP/RTCP, TCP/UDP,DHCP, DNS, DDNS, UPNP, ICMP, IGMP, NTP, SMTP, 802.1x, SNMP, HTTP/HTTPS, PPPOE
Front End Access Protocol	ONVIF, SDK
Max. User Access	4 Users
Web Viewer	<IE11, Chrome, Firefox, Microsoft Edge
Management Software	SunView
Interface	
Network Interface	1 Ethernet (10/100 Base-T) RJ-45 Connector
Microphone	Support
Reset Button	Support
SD Card Slot	Built-in, up to 256GB
General	
Power Supply	DC12V (-15%~+25%)/POE (IEEE 802.3af)
Power Consumption	Max 5 W
Operating Temperature	-25°C ~ 55°C (-13°F ~ 131°F)
Operating Humidity	Less than 90% RH
Ingress Protection	IP66
Certifications	CE/FCC
Casing	Metal + Plastic
Dimensions	Φ111 × 95mm
Net Weight	0.35 kg (0.77 lb)

Specifications

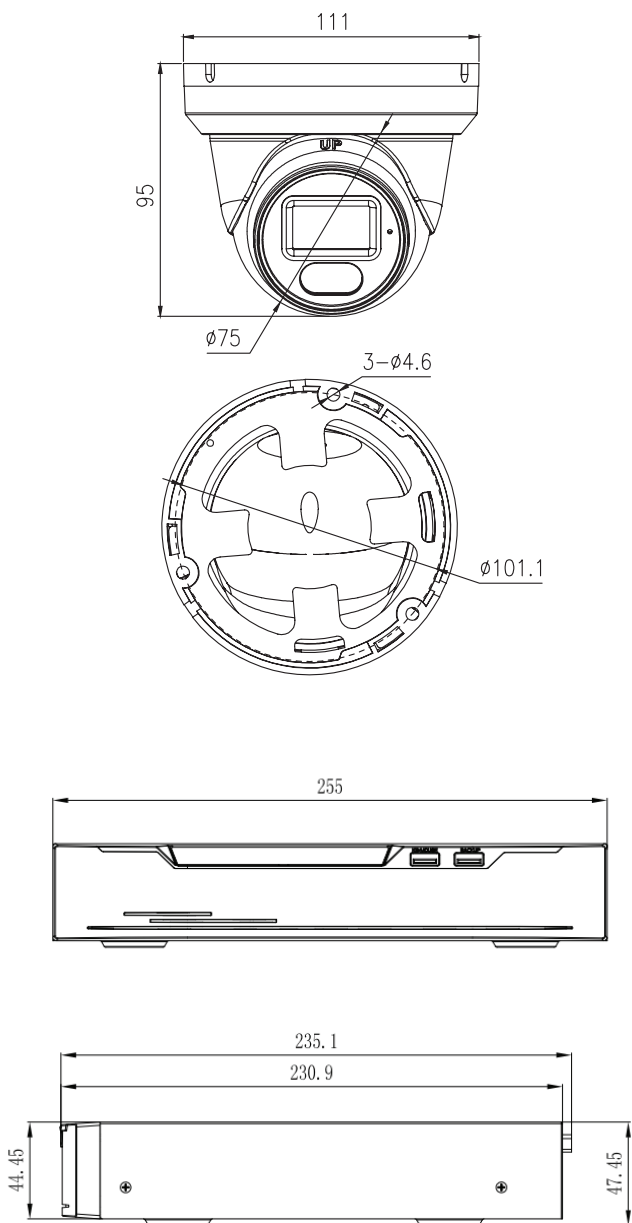
CENNVR108E (NVR)	
Video Input	
IP Camera Input	8 Channel
Incoming Bandwidth	60 Mbps
Outgoing Bandwidth	60 Mbps
Video Output	
HDMI Output	1920×1080, 1440×900, 1280×1024
VGA Output	1920×1080, 1440×900, 1280×1024
Decoding Capacity	1ch 5MP, 4ch 1080P, 8ch D1@30fps
Dual Stream	Support
Multi-screen Display	1/4/8/9
Recoding	
Resolution	5MP, 4MP, 3MP, 1080P, 720P, D1 etc.
Recording Mode	Manual, Schedule (Regular, Continuous), Event
Trigger Events	Motion Detection, Video Loss, Alarm in, IVS
Playback and Backup	
Sync Playback	9/4/1
Search Mode	Time /Date, Alarm, Picture grid, Event
Backup Mode	USB Device, Network
Network	
Interface	1 RJ-45 port (10/100 Mbps)
PoE	8 Ports (IEEE 802.3af), 48W
Network Function	HTTP, HTTPS, TCP/IP, IPv4, UPnP, UDP, RTSP, SMTP, NTP, DNS, DHCP, P2P, IP Filter, DDNS, 802.1X, SNMP, 3G/4G, PPPoE
Remote Users	8 users
Smart Phone	iPhone, iPad, Android
Interoperability	ONVIF, SDK, CGI
Storage	
HDD	1 SATA Ports, up to 8TB for each HDD
Cloud Storage	Support
Interface	
Audio I/O	1ch Audio output
Alarm Input	N/A
Alarm Output	N/A
USB	2 ports (USB 2.0 × 2)
General	
Power Supply	DC48V/1.35A
Power Consumption	< 5 W (without HDD)
Operating Conditions	-10 °C ~ 50 °C (14 °F ~ 122 °F)
Storage Conditions	Less than 90% RH
Certifications	CE/FCC
Dimensions	255 × 237 × 47.5 mm (10.04 × 9.33 × 1.87 inch)
Net Weight	1 kg (2.2 lb) without HDD

Specifications may change without notice

CENIPCK825TH2

8ch NVR with 2TB & 5MP Full Colour Turrets

Dimensions



Accessories

Optional

CENCBK646M
Junction Box



CENBK202A
Pendant Cap



CENBK501
Wall Mount



Kit Includes

- 8CH NVR x 1
- 2TB WD Purple HDD x 1
- 5MP AI Turret x 4
- HDMI Cable x 1

Item Code	CENIPCK825TH2	
Description	5MP Smart Dual Illumination Turret Network Camera	
Carton Qty	1	2
Barcode	9318475002230	19318475002237