



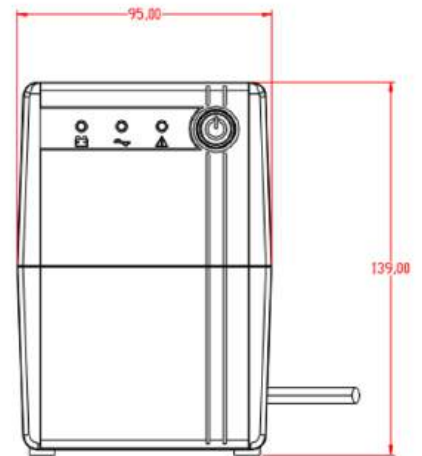
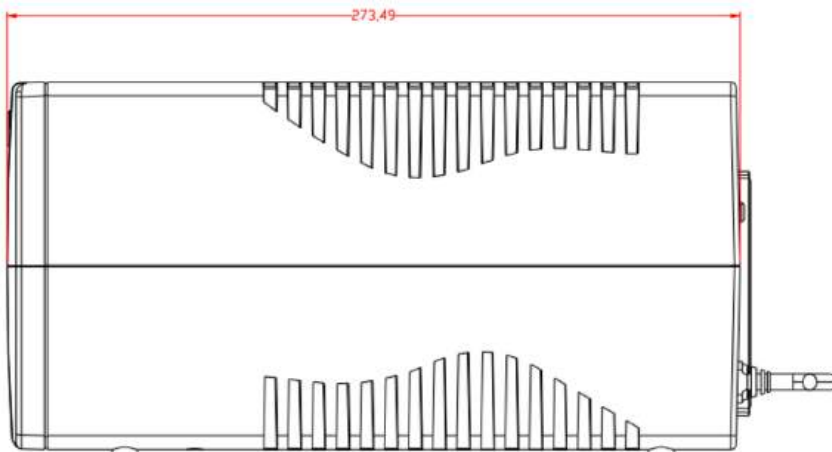
UPS600VA



Features

- Built-in AVR
- Super fast charging
- Wide input voltage range
- Overload protection
- Short circuit protection
- Surge protection

Dimension



Unit: mm (inch)

Specifications

Power	
UPS Capacity	600 VA / 360 W
Input	
Input Voltage Range	140 VAC to 290 VAC
Input Frequency	50/60 Hz self-adaptive
Plug Type	AU TYPE I
Output	
Output Voltage Range	210 VAC to 235 VAC
Output Frequency	50/60 Hz \pm 0.5 Hz self-adaptive
Transfer Time	\leq 10 ms
Waveform	PWM
Outlet Type	AU TYPE I
Outlet Number	2
Battery	
Battery Type	12 V/7 Ah, lead-acid battery
Recharge Time	4-6 hours recover to 90% capacity
Typical Backup Time	Run time at 60w: 35 min Run time at 100w: 20 min Run time at 200w: 3 min
Interface	
Communicate Ports	No
Protection	
Full Protection	Surge protection, Overload protection, Discharge protection, Overcharge protection
Indicator	
Display	LED indicator Working Mode (AC Mode): Solid green Charging Mode (DC Mode): Solid red Overloading Mode: Flashing yellow
Alarm	Charging Mode (DC mode): Sounding every 8 seconds Low Battery: Sounding every second Overloading Mode: Sounding every 0.5 seconds Fault: Continuously sounding
General	
Operating Temperature	0 °C to 40 °C (32 °F to 104 °F)
Operating Humidity	30% to 90% (non-condensing)
Dimension	274 mm \times 95 mm \times 139 mm (10.79" \times 3.74" \times 5.47")
Weight	Approx. 4.2 kg (9.26 lb)