



LIFESAVER

240V CARBON MONOXIDE ALARM

MODEL LIFCO240

FEATURES

- 240V with sealed in rechargeable battery backup
- Power, Low battery and Alarm LED indicators.
- Test/Reset Button
- For Wall or Ceiling Mounting
- 5 Year Warranty
- Interconnectable up to 24 PSA LIFESAVER Smoke, Heat, and CO Alarms
- Provides 7 years of continuous operation
- Approved to EN50291.1:2010
- Loud 85dB at 3m sounder.
- This alarm meets the following response time:
50ppm: 60-90 min
100ppm: 10-40 min
300ppm: within 3 min

SPECIFICATIONS

Model Number	LIFCO240
Power Supply	240V AC. Rechargeable Lithium Ion battery backup
Temperature Range	0°C to 40°C and -10°C to +60°C for storage or transport
Humidity Range	10%-95% relative humidity (RH)
Alarm Dimensions /Weight	145mm D x 40mm H / 0.22kg
Life of Alarm	7 years sensor life
Approvals	Approved by BSI to EN50291 / CE approved
Interconnect	Up to 24 smoke and heat alarms.
Warranty	5-years
Audible Alarm	85+ dB at 3m @ 3.4±0.5 KHz pulsing alarm
Sensor	Electrochemical



PRODUCT DESCRIPTION

Carbon Monoxide (CO) is an odourless, colourless, tasteless and lethal by product from burning fuel for cooking or heating. Toxic CO levels can occur suddenly or accumulate slowly over time. This PSA Lifesaver CO alarm utilise technology that is equally effective under both conditions.

The symptoms of CO poisoning include headaches, sickness, tiredness and muscle pain - all of which can easily be misdiagnosed as flu. It is therefore important to protect your family and home with a carbon monoxide alarm.

The LIFESAVER LIFCO240 alarm is 240V mains powered, with a non-removeable lithium rechargeable battery. It can be interconnected to other LIFESAVER smoke alarms and heat alarms. If one alarm activates all alarms will sound. If CO alarm activates it will sound 4 beeps pause then 4 beeps repeating.



EN50291-1:2010
Lic No: KM 98848

FIRE • SECURITY • INTERCOMS

1300 772 776 enquiry@psaproducts.com.au
psaproducts.com.au





LIFESAVER

240V CARBON MONOXIDE ALARM

MODEL LIFCO240

COMMON SOURCES OF CARBON MONOXIDE

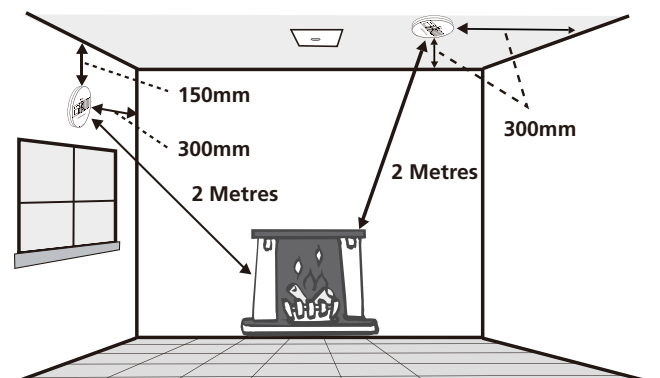
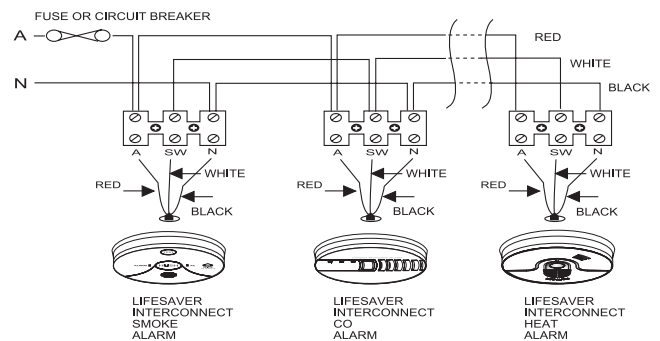
- Car left running in the garage
- Clogged chimney
- Corroded or disconnected water heater vent pipe
- Gas or wood-burning fireplace
- Cracked or loose boiler flue
- Improperly installed gas cooker, hob or hood
- Operating a grill indoors or in garage
- Portable paraffin or gas heater

RECOMMENDED LOCATIONS

- When mounting place the alarm a horizontal distance of between 2 to 3 metres from a fuel burning appliance.
- Wall-mounted alarms should be close to the ceiling, but at least 150mm away to avoid being in 'dead-air' space.
- Locate within hearing distance of bedrooms.
- CO alarms in rooms with sloped ceilings should be located on the high side of the room.
- Ceiling mounted alarms should be at least 300 mm from any wall.
- If there is a partition in the room, locate the alarm on the same side of the partition as the potential source.
- A CO alarm should be installed in all rooms containing a fuel burning appliance. Additional CO alarms should be installed in living areas, in every sleeping areas, and on every level of the home.

LOCATIONS TO AVOID

- Avoid locating next to draughts, such as doors, windows, extractor fans, air vents or other similar ventilation openings.
- Avoid locating close to obstructions (e.g. behind curtains, shelves or furniture).
- Avoid dusty, dirty or greasy areas, such as workshops.
- Avoid humid (bathrooms), cold ($< -10^{\circ}\text{C}$) or hot ($> 40^{\circ}\text{C}$) or damp areas and keep away from sinks.



FIRE • SECURITY • INTERCOMS

1300 772 776 enquiry@psaproducts.com.au
psaproducts.com.au

