



JUNCTION BOX FOR TURRET CAMERA

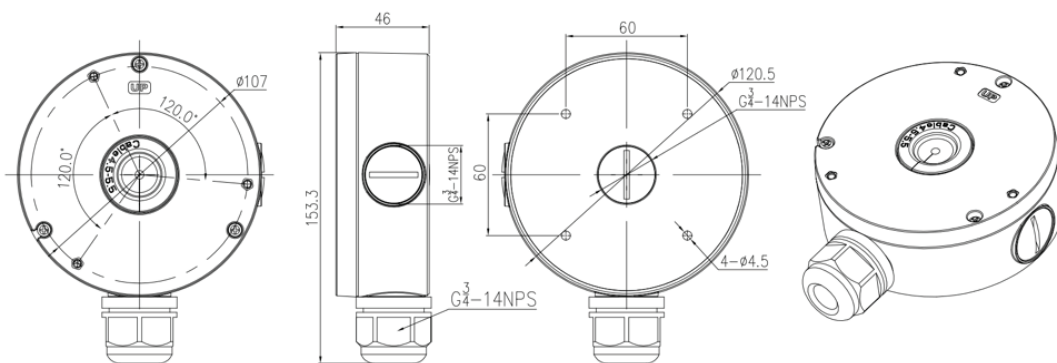
INTCBK646M



SPECIFICATIONS

Model	INTCBK646M
Material	Aluminum alloy + Plastic
Colour	White
Operating Humidity	0% - 90% RH
Load Bearing	3 kg (6.61 lb)
Product Dimensions	107 × 46mm (4.21 × 1.81")
Product Weight	0.34kg (0.75 lb)

DIMENSIONS



FIRE • SECURITY • INTERCOMS