

# PSA Centrii

## CENSLCAMK

Solar Wireless Camera Kit  
2 Camera Kit with Homebase



### Features

- Wireless Solar Power**  
Eliminate the hassle of wired installation and install wherever you need. With just a few hours of direct sunlight and built-in battery, you'll get all-day, all-night power.
- Complete Coverage**  
Cover every corner with the 166° wide-angle lens that eliminates all blind spots.
- Clearer, Sharper, Better**  
2K resolution offers a 50% clearer image than 1080p.
- Smart Motion Detection**  
Capable of distinguishing between someone passing or staying, which ensures precise and accurate monitoring.
- No Monthly Fee, 32GB Local Storage**  
Built-in 32GB EMMC storage for free playback and downloading of videos from the last 120 days, with encrypted and locally saved video data.

### Specifications

|  |  |
|--|--|
| <b>AI Feature</b>                      | Human Detection, Motion Detection  |
| <b>Resolution and FPS</b>              | 3MP, 2048*1536, 15FPS  |
| <b>Power Supply</b>                    | Homebase - Power Supply<br>Camera - Battery and Solar Panel with 3m lead |
| <b>WiFi Band</b>                       | Homebase - Network cable<br>Camera - 2.4GHz                              |
| <b>FOV</b>                             | 166°*133°*103°   |
| <b>Installation Height</b>             | 2.5m-3m  |
| <b>PIR Distance</b>                    | 10m  |
| <b>Night Vision Mode</b>               | IR+LED light   |
| <b>IR distance</b>                     | 7m   |
| <b>WiFi Signal Range</b>               | Open Space 240m  |
| <b>2-Way Communication Distance</b>    | 8m   |
| <b>Weatherproof Rating</b>             | IP66   |
| <b>Battery</b>                         | 5200mAh  |
| <b>Battery Life</b>                    | Solar-Powered with Unlimited Endurance                                   |
| <b>Working Temperature</b>             | -10 - 55°C   |
| <b>Battery Charging Temperature</b>    | >0°C   |
| <b>Solar Panel Working Temperature</b> | -10 - 50°C   |
| <b>Charge Port</b>                     | Type-C   |
| <b>Adapter</b>                         | "Camera 5V/1A&2A<br>Base station 12V/1A"                                 |
| <b>Solar Panel Power</b>               | 3W   |
| <b>Storage</b>                         | HomeBase 32GB Storage + Cloud Storage (subscription)                     |



### PSA Centrii App

Free app provided, support remote viewing on iOS or Android



## Specifications

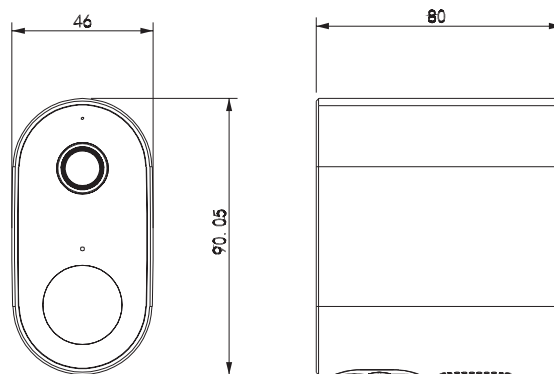
|                                     |                                |
|-------------------------------------|--------------------------------|
| <b>Recording Mode</b>               | Event Recording                |
| <b>Alarm</b>                        | Sound and Light alarm          |
| <b>Event Types</b>                  | Human Body Alarm, Motion Alarm |
| <b>Storage- SD card type</b>        | Built-in 32GB Local Storage    |
| <b>HomeBase Camera Capacity</b>     | 4 Cameras                      |
| <b>Alexa &amp; Google Assistant</b> | Support                        |
| <b>Audio &amp; Video recording</b>  | Support                        |

Specifications may change without notice

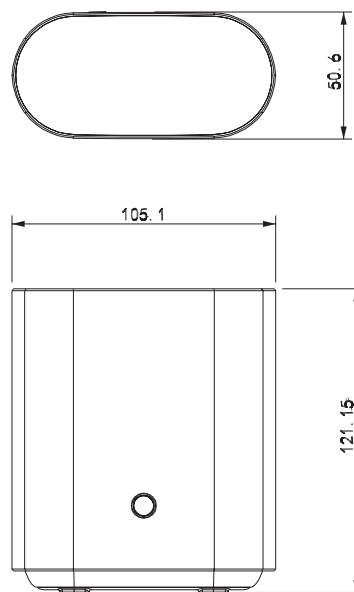
**NOTE:** Homebase capacity is 4 cameras.  
Additional camera part number is CENSLCAM.

## Dimensions (mm)

### Camera



### Homebase



|                    |  |
|--------------------|--|
| <b>Item Code</b>   | CENSLCAMK  |
| <b>Description</b> | Solar Wireless Camera Kit - 2 Camera Kit with Homebase |
| <b>Carton Qty</b>  | 1  |
| <b>Barcode</b>     | 9318475002575  |