

# JUNCTION BOX FOR BULLET & TURRET CAMERA

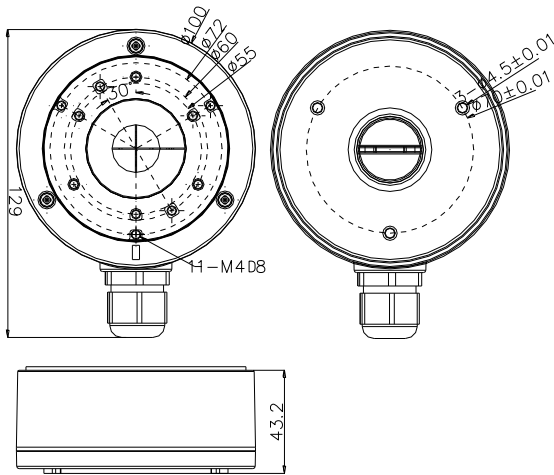
## HLDS-1280ZJ-XS

### Features:

- Aluminum alloy material with surface spray treatment
- Cable hole on bracket makes the feature better



### Dimension:



### Parameter:

Model	DS-1280ZJ-XS
Parameters	Junction Box for Turret & Bullet Camera
Appearance	Hikvision White
Material	Aluminum Alloy
Dimension	Φ 100 x 43.2 x 129mm
Weight	320g

### Notice:

- The bracket should be installed on flat wall
- Waterproof rubber is necessary for outdoor application
- The wall must be capable of supporting over 3 times as much as the total weight of the camera and the mount.
- The maximum load capacity of the bracket is 4.5KG

### Model Suitable:

HLTHC-B120-M, HLTHC-T120-M, HLIPC-B140H, HLIPC-B150H