



5MP FULL COLOUR BULLET NETWORK CAMERA

INTIPCB528DL



KEY FEATURES

- 1/3" 2.8mm progressive scan CMOS lens
- Max resolution 5MP (2560×1920) @ 20fps
- Dual LED lights for full colour night vision
- Human intrusion and line cross detection
- Intelligent detection: Perimeter, Single Virtual fence
- DWDR, 3D DNR, HLC, BLC, Defog
- Built-in Microphone and Speaker
- LED range up to 20 m
- 12V DC/PoE power supply
- IP66



Microphone



Human Detection



PoE



IP66



LED Light



Easy Mount

FIRE • SECURITY • INTERCOMS

17 Millicent Street, Burwood, VIC 3125 Australia
Tel: 1300 PSA PRODUCTS (1300 772 776)
Fax: (03) 9888 9993
enquiry@psaproducts.com.au

psaproducts.com.au





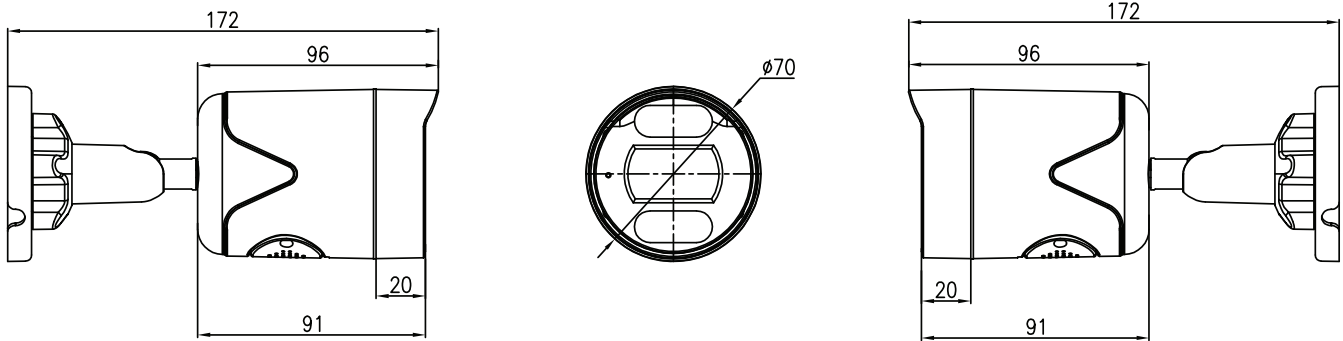
SPECIFICATIONS

Model	INTIPCB528DL	
Camera	Image Sensor	1/3" Progressive Scan CMOS
	Max. Resolution	2560(H)×1920(V)
	Electronic Shutter	Auto/Manual, 1/5 ~ 1/20,000s
	Min. illumination	Color: 0.1 Lux @ (F1.2,AGC ON) , B/W: 0 Lux @ (IR LED ON)
	S/N Ratio	55 dB
	Day/Night	Auto(ICR)/Day / Night
	Wide Dynamic Range	DWDR
	LED Range	IR range up to 20 m White LED range up to 20 m
	IR On/Off Control	Auto/Manual
	Lens	Lens Type
Iris		Fixed Iris
Focal Length		2.8 mm
F Number		F1.6
Angle of View		H: 77.6°, V: 41°
Video		Streaming Capability
	Stream/Frame Rate	Main Stream: 2560×1920, 2560×1440, 2304×1520, 1920×1080, 1280×720 @ 20fps Sub Stream: 640×360 @ 20fps
	Bit Rate Control	CBR/VBR
	Bit Rate	Main Stream: 128kbps ~ 4096kbps Sub Stream: 16kbps ~ 1536kbps
	Image Adjustment	Brightness/Sharpness/Contrast/Saturation
	White Balance	Auto/Manual
	Mirror	Support
	Noise Reduction	2D/3D DNR
	Image Enhancement	WDR/HLC/BLC/Defog
	Motion Detection	Support
Privacy Masking	Support	
Smart Function	Human Detection	Support
	Smart Event	Perimeter, Single Virtual Fence
Network	Protocols	IPv4, RTSP/RTP/RTCP, TCP/UDP, HTTPS, DHCP, DNS, DDNS, UPNP, ICMP, IGMP, NTP, SMTP, 802.1x, SNMP
	Interoperability	ONVIF, SDK
	Max. User Access	4 Users
	Web Viewer	<IE11, Chrome, Firefox, Microsoft Edge
	Management Software	Central Management Software (CMS)
Interface	Ethernet	1 Ethernet (10/100 Base-T) RJ-45 Connector
	Audio	Built-in Mic and Speaker
	Storage	Built-in Micro SD slot, up to 256GB
	Reset Button	Support



Model		INTIPCB528DL
General	Power Supply	DC12V/POE (IEEE 802.3af)
	Power Consumption	Max 8W
	Operating Temperature	-35°C ~ 55°C (-31°F ~ 131°F)
	Operating Humidity	Less than 90% RH
	Ingress Protection	IP66
	Certifications	CE/FCC
	Casing	Metal
	Dimensions	172mm L x 70mm D
	Net Weight	0.35kg

DIMENSIONS



FIRE • SECURITY • INTERCOMS