



NETWORK CCTV KIT

8CH NVR WITH 2TB & 5MP FULL COLOUR TURRETS

INTIPCK825TH



Microphone



Human Detection



PoE



IP66



LED Light



Easy Mount



KEY FEATURES

CAMERA

- 1/3" 2.8mm progressive scan CMOS lens
- Max resolution 5MP (2560×1920) @ 20fps
- Dual LED lights for full colour night vision
- Human intrusion and line cross detection
- Built-in Microphone
- LED range up to 20 m
- POE/12VDC power supply
- IP66

NVR

- Up to 8ch IP cameras access
- Up to 5MP resolution recording
- 1 SATA hard disk up to 8TB
- Smart search & playback
- HDMI & VGA video output

KIT INCLUDES

- 8CH NVR x 1
- 2TB WD Purple HDD x 1
- 5MP AI Turret x 4
- HDMI Cable x 1

FIRE • SECURITY • INTERCOMS

17 Millicent Street, Burwood, VIC 3125 Australia
Tel: 1300 PSA PRODUCTS (1300 772 776)
Fax: (03) 9888 9993
enquiry@psaproducts.com.au

psaproducts.com.au





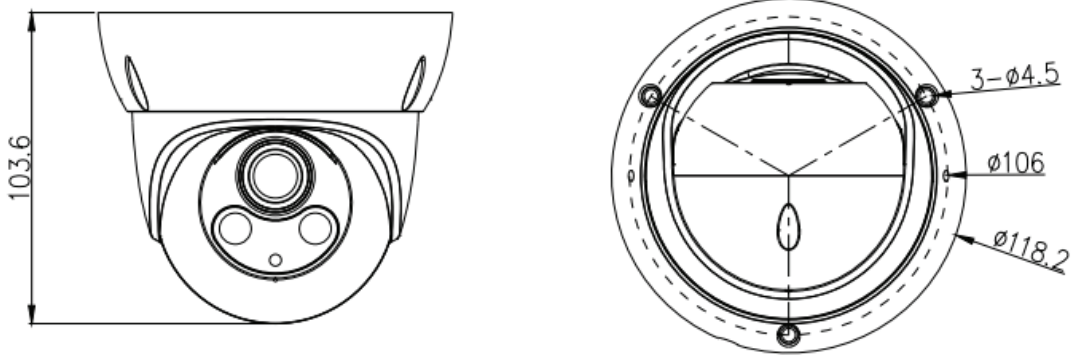
SPECIFICATIONS

Model	INTIPCT528DL (Turret Cameras)	
Camera	Image Sensor	1/3" Progressive Scan CMOS
	Max. Resolution	2560(H)×1920(V)
	Electronic Shutter	Auto/Manual, 1/5 ~ 1/20,000s
	Min. illumination	Color: 0.1 Lux @ (F1.2,AGC ON) , B/W: 0 Lux @ (IR LED ON)
	S/N Ratio	55 dB
	Day/Night	Auto(ICR)/Day / Night
	Wide Dynamic Range	DWDR
	LED Range	Up to 20 m (66.61 ft)
	IR On/Off Control	Auto/Manual
	Lens	Lens Type
Iris		Fixed Iris
Focal Length		2.8 mm
F Number		F1.6
Angle of View		H: 77.6°, V: 41°
Video	Streaming Capability	2 Streams
	Stream/Frame Rate	Main Stream: 2560×1920, 2560×1440, 2304×1520, 1920×1080, 1280×720 @ 20fps Sub Stream: 640×360 @ 20fps
	Bit Rate Control	CBR/VBR
	Bit Rate	Main Stream: 128kbps ~ 4096kbps Sub Stream: 16kbps ~ 1536kbps
	Image Adjustment	Brightness/Sharpness/Contrast/Saturation
	White Balance	Auto/Manual
	Mirror	Support
	Noise Reduction	2D/3D DNR
	Image Enhancement	WDR/HLC/BLC/Defog
	Motion Detection	Support
Privacy Masking	Support	
Smart Function	Human Detection	Support
	Smart Event	Perimeter, Virtual Fence
Network	Protocols	IPv4, RTSP/RTP/RTCP, TCP/UDP, HTTPS, DHCP, DNS, DDNS, UPNP, ICMP, IGMP, NTP, SMTP, 802.1x, SNMP
	Interoperability	ONVIF, SDK
	Max. User Access	4 Users
	Web Viewer	<IE11, Chrome, Firefox, Microsoft Edge
	Management Software	Central Management Software (CMS)
Interface	Ethernet	1 Ethernet (10/100 Base-T) RJ-45 Connector
	Audio	Built-in Mic
	Reset Button	Support



Model		INTIPCT528DL (Turret Cameras)
General	Power Supply	DC12V/POE (IEEE 802.3af)
	Power Consumption	Max 5.5W
	Operating Temperature	-35°C ~ 55°C (-31°F ~ 131°F)
	Operating Humidity	Less than 90% RH
	Ingress Protection	IP66
	Certifications	CE/FCC
	Casing	Metal
	Dimensions	118.2 × 103.6 mm (4.65 × 4.08 inch)
	Net Weight	0.61 kg (1.34 lb)

DIMENSIONS



ACCESSORY



Junction Box
INTCBK646M



Wall Mount Bracket
INTCBK501



Wall Mount Adaptor
INTCBK203

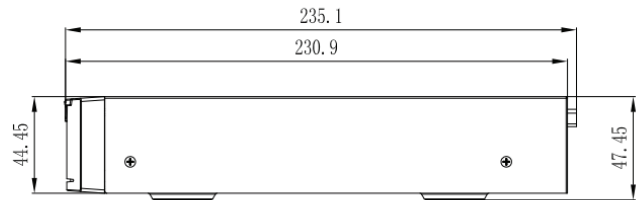
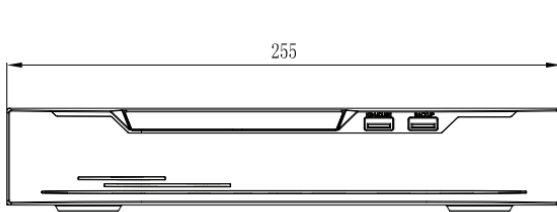


SPECIFICATIONS

Model	INTNVR108E (NVR)	
Video Input	IP Camera Input	8 Channel
	Incoming Bandwidth	60 Mbps
	Outgoing Bandwidth	60 Mbps
Video Output	HDMI Output	1920×1080, 1440×900, 1280×1024
	VGA Output	1920×1080, 1440×900, 1280×1024
	Decoding Capacity	1ch 5MP, 4ch 1080P, 8ch D1@30fps
	Dual Stream	Support
	Multi-screen Display	1/4/8/9
Recording	Resolution	5MP, 4MP, 3MP, 1080P, 720P, D1 etc.
	Recording Mode	Manual, Schedule (Regular, Continuous), Event
	Trigger Events	Motion Detection, Video Loss, Alarm in, IVS
Playback and Backup	Sync Playback	9/4/1
	Search Mode	Time /Date, Alarm, Picture grid, Event
	Backup Mode	USB Device, Network
Network	Interface	1 RJ-45 port (10/100 Mbps)
	PoE	8 Ports (IEEE 802.3af), 48W
	Network Function	HTTP, HTTPS, TCP/IP, IPv4, UPnP, UDP, RTSP, SMTP, NTP, DNS, DHCP, P2P, IP Filter, DDNS, 802.1X, SNMP, 3G/4G, PPPoE
	Remote Users	8 users
	Smart Phone	iPhone, iPad, Android
	Interoperability	ONVIF, SDK, CGI
	Storage	HDD
	Cloud Storage	Support
Interface	Audio I/O	1ch Audio output
	Alarm Input	N/A
	Alarm Output	N/A
	USB	2 ports (USB 2.0 × 2)
General	Power Supply	DC48V/1.35A
	Power Consumption	< 5 W (without HDD)
	Operating Conditions	-10 °C - 50 °C (14 °F - 122 °F)
	Storage Conditions	Less than 90% RH
	Certifications	CE/FCC
	Dimensions	255 × 237 × 47.5 mm (10.04 × 9.33 × 1.87 inch)
	Net Weight	1 kg (2.2 lb) without HDD



DIMENSIONS



REAR PANEL



FIRE • SECURITY • INTERCOMS