



LIFESAVER

LIFESAVER
silhouette

MODEL LIF5800RF

INSTALLATION AND USER MANUAL

FLUSH DESIGN PHOTO-ELECTRIC SMOKE ALARM

240VAC MAINS POWERED SINGLE STATION AND/OR INTERCONNECTABLE (24 UNITS) PHOTO-ELECTRIC SMOKE ALARM. BUILT-IN RECHARGEABLE BATTERY BACKUP. TEST / HUSH CONTROL AND LOW BATTERY INDICATION.

IMPORTANT: READ ALL INSTRUCTIONS BEFORE INSTALLATION.

NO USER REPLACEABLE PARTS INSIDE THIS SMOKE ALARM.

WARNING: Disconnecting AC connector from smoke alarm will render this smoke alarm inactive.

SPECIFICATION

ELECTRICAL RATING: 240VAC 50Hz, 80mA per alarm and interconnectable to 24 alarms.

WARNING: THIS SMOKE ALARM MUST ONLY BE WIRED TO A 240Vac 50Hz SINE WAVE CURRENT SUPPLY.

CONTENTS

RECOMMENDED LOCATIONS OF ALARMS	1
MOBILE HOME INSTALLATION	3
AVOID THESE LOCATIONS	3
FALSE ALARMS	4
INSTALLATION	5
OPERATION, TESTING AND MAINTENANCE	9
BATTERY TEST	12
REPAIRS AND SERVICES	12
GOOD SAFETY HABITS	12
THE LIMITATIONS OF SMOKE ALARMS	13
OPERATING PRINCIPLES OF SMOKE ALARMS	15
DEVELOP AND PRACTICE A PLAN OF ESCAPE	16
WHAT TO DO WHEN THE ALARM SOUNDS	17
INSTALLER PLEASE NOTE	18
WARNING: INSULATION TEST	18
WARRANTY AND LIABILITY	19

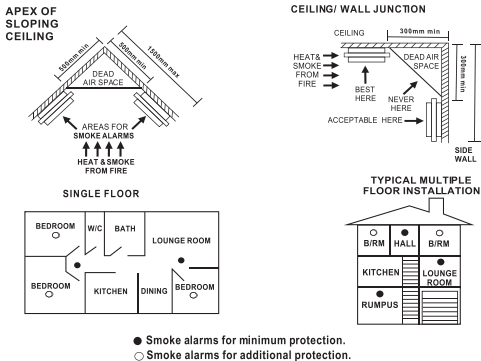
1. RECOMMENDED LOCATIONS OF ALARMS

- 1.1 Locate an alarm for each separate sleeping area in the immediate vicinity of the bedrooms. Try to monitor the exit path as the bedrooms are usually farthest from an exit. If more than one sleeping area exit, locate additional alarms in each sleeping area in the immediate vicinity bedrooms.
 - 1.2 Locate additional alarms to MONITOR any stairway as stairways act like chimneys for smoke and heat.
 - 1.3 Locate at least one alarm on every floor level.
 - 1.4 Locate an alarm in every room where a smoker sleeps.
 - 1.5 Locate an alarm in every room where electrical appliances are operated (i.e. portable heaters or humidifiers).
 - 1.6 Locate an alarm in every room where someone sleeps with the door closed. The closed door may prevent an alarm not located in that room from waking the sleeper.
 - 1.7 Smoke, heat and other combustion products rise to the ceiling and spread horizontally. Mounting the alarm on the ceiling in the center of the room places it closest to all points in the room. Ceiling mounting is preferred in ordinary residential construction.
 - 1.8 For mobile home installation select location carefully to avoid thermal barrier that may form at the ceiling. For more details see Mobile Home Installation (Section 2).
 - 1.9 When mounting alarms on the ceiling locate it at least 300mm away from the side wall and 300mm away from any corner. (see diagram)
 - 1.10 When mounting alarms on a wall, use the inside wall. The recommended position is between 300mm and 500mm off the ceiling. (see diagram)
- NOTE: The performance of smoke alarms mounted on walls is unpredictable and this mounting position is not recommended when ceiling mounting can be implemented.**

1. RECOMMENDED LOCATIONS OF ALARMS

- 1.11 When mounting the alarm at the apex of a sloping ceiling it should be located at least 500mm away from the apex but should not exceed 1500mm (see diagram).
- 1.12 Locate smoke alarm at both ends of a bedroom hallway or large room if the hallway or room is more than 9m long.
- 1.13 Do not locate smoke alarms in kitchen areas due to potential nuisance alarms from cooking fumes.
- 1.14 Smoke alarms shall be installed according to the Building Codes of Australia (BCA).

INSTALLATION OF SMOKE ALARM



IMPORTANT: INCORRECT ORIENTATION OF SMOKE ALARM MAY DECREASE OPERATIONAL EFFECTIVENESS

2. MOBILE HOME INSTALLATION

- 2.1 Modern mobile homes have been designed and insulated to be energy efficient. Install smoke alarms as recommended (refer to RECOMMENDED LOCATIONS).
- 2.2 In older mobile homes that are not well insulated compared to present standards, extreme heat or cold can be transferred from the outside through poorly insulated walls and roof. This may create a thermal barrier which can prevent smoke from reaching a smoke alarm mounted on the ceiling. In such units, install smoke alarm on inside partition between 300mm and 500mm from the ceiling.
- 2.3 If you are not sure about the insulation in your mobile home, or if you notice the walls and ceilings are either hot or cold, install alarm on an inside wall. For minimum protection, install one alarm close to the bedrooms. For additional protection, see **SINGLE FLOOR PLAN**.

NOTE:TEST YOUR SMOKE ALARM OPERATION AFTER MOBILE HOME VEHICLE HAS BEEN IN STORAGE, BEFORE EACH TRIP AND AT LEAST ONCE WEEK DURING USE.

3. AVOID THESE LOCATIONS

- 3.1 Do not locate your alarm in the garage - products of combustion are present when you start your automobile. Use Lifesaver Heat Alarm in this location.
- 3.2 Do not locate your alarm in front of forced air supply ducts used for heating and air conditioning and other high air flow areas.
- 3.3 Do not locate your alarm less than 500mm from the peak of an "A" frame type ceiling.
- 3.4 Do not locate your alarm in areas where temperatures may fall below 5°C or rise above 45°C, or in humidity higher than 85% as these conditions may reduce battery life.

3. AVOID THESE LOCATIONS

- 3.5 Avoid dusty areas, dust particles may cause smoke alarm to false alarm or fail to alarm. Use Lifesaver Heat Alarm in this location to avoid false alarms.
- 3.6 Avoid very humid areas or near a bathroom, moisture can cause false alarm.
- 3.7 Avoid insect-infested areas.
- 3.8 Do not locate alarm within 0.9m of the following: the door to a kitchen, the door to a bathroom containing a tub or shower, ceiling or whole house ventilating fans, or other high flow areas.
- 3.9 Avoid locating near fluorescent lights or other electrical equipment. Electronic magnetic interferences or “noise” may cause nuisance alarms or chirping.
- 3.10 Smoke alarms are not to be used with detector guards unless the combination (alarm and guard) has been evaluated and found suitable for that purpose.

4. FALSE ALARMS

- 4.1 This smoke alarm is designed to minimize false alarms. Smoking will not normally set off the alarm unless smoke is blown directly into the alarm.
- 4.2 Combustion particles from cooking may set off the alarm if the alarm is located close to the kitchen cooking surface.
- 4.3 Large quantities of combustion particles are generated from spills and over-boil.
- 4.4 An alarm with a Hush® Control device is preferable near a kitchen environment for this reason.
- 4.5 If the alarm does sound, check for fire first. If a fire is discovered, escape quickly and call the Fire Brigade. If no fire is present, check to see if one of the reasons listed above may have caused the alarm.

5. INSTALLATION

WARNING: THIS SMOKE ALARM MUST BE INSTALLED BY QUALIFIED (LICENSED) ELECTRICIANS ONLY.

5.1 **Wiring Instructions:**

- 5.1.1 In the interests of safety, this smoke alarm and all wiring must be installed by a licensed electrician in accordance with the relevant requirements of the SAA Wiring Rules - AS3000.
- 5.1.2 Connecting the smoke alarm on the AC terminal cable will activate the lithium battery. Please note, the long absence of mains power may damage the rechargeable battery. Warranty is void if the battery is damaged. If the mains power is turned off for a long period of time, for example, if the building is not occupied, disconnect the smoke alarm from the terminal cable. When mains power is turned on, ensure the smoke alarm is then connected to the terminal cable. The battery may be low in new smoke alarms, please allow up to 8 hours for the battery to fully charge. Smoke alarms may chirp until the battery is fully charged. When recharging do not press Test and Hush button.
- 5.1.3 This Smoke Alarm can only interconnect with LIFESAVER Model 5000, 5800, 5800RL, 3000, 4800RL Smoke Alarms; Heat Alarm model HA240 and visual Signaling Device model SL240 and isolation relay model RK10A/9. Interconnection with other brands may cause damage or result in a shock or fire risk and void warranty.
- 5.1.4 Due to “noise” from electromagnetic interference, up to 24 units of smoke alarms and compatible products may be interconnected.
- 5.1.5 There are three terminals in the supply terminal block, marked A, S, N. It is important that the alarm be wired correctly to ensure correct operation. Incorrect wiring to the Smoke Alarm will damage the unit and void the warranty.
- 5.1.6 A total maximum of 250 meters (820 feet) of wire can be used in interconnecting smoke alarms.

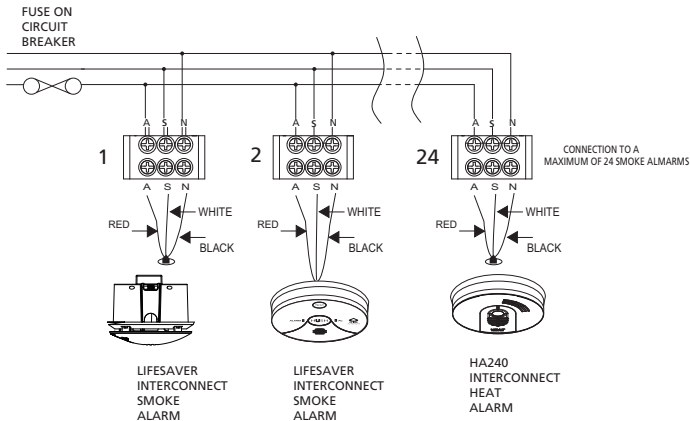
5. INSTALLATION

- 5.1.7 All final sub-circuit conductors including the signal conductor must be a minimum size of 1mm² with 250V grade insulation.
- 5.1.8 Interconnected Smoke Alarms must be connected to the same final subcircuit.
- 5.1.9 Do not use any wire that could later be confused with the normal house wires for the interconnect wire. For example, green/yellow earth wire.
- 5.1.10 Do not connect AC power wires to S interconnect terminal. These will damage smoke alarms.
- 5.1.11 Do not connect the S interconnect wire to any device, except the S interconnect terminal of smoke alarm. Otherwise, smoke alarm will be damaged.
- 5.1.12 Switch wire (S) only can drive the RK10A/9 and smoke alarms.
- 5.1.13 Smoke alarms should be interconnected only within the confines of a single family living unit. If smoke alarms are interconnected between different units, there may be excessive nuisance alarms. Residents may not be aware that smoke alarms are being tested or that it is a nuisance alarm caused by cooking, etc.
- 5.1.14 Terminals are marked as follows:
- | | | |
|-----------------|---|--|
| <u>MARKINGS</u> | | |
| (Red) | A | ACTIVE |
| (White) | S | SWITCH WIRE (FOR INTERCONNECTION ONLY) |
| (Blue) | N | NEUTRAL |
- WARNING: Connecting the Switch wire terminal to any other supply conductor may result in damage to the alarm, failure to operate or shock hazard and void the warranty of the alarm.

Note: For interconnection of smoke alarms to Fire Panel or Auxiliary devices, use only LIFESAVER Isolation Relay Model RK10A/9.

5. INSTALLATION

EXAMPLE OF MULTIPLE ALARM WIRING



- 5.1.15 This Smoke Alarm can be interconnectable only with other PSA LIFESAVER models of Smoke Alarms; whether it be of Ionisation or Photoelectric design. Interconnection with other brands may cause damage or result in a shock or fire risk.
- 5.1.16 When interconnected all Smoke Alarms will sound upon activation.

5. INSTALLATION

- 5.1.17 **WARNING:** This alarm cannot be operated from power derived from a square wave, modified square wave or modified sine wave inverter. These type of inverters are sometimes used to supply power to the structure in off grid installations, such as solar or wind derived power sources. These power sources produce high peak voltages that will damage the alarm.
- 5.1.18 PSA recommend the smoke alarms to be installed on its own subcircuit to avoid false alarms and nuisance chirping that may be caused by electromagnetic interferences from other electrical equipment.

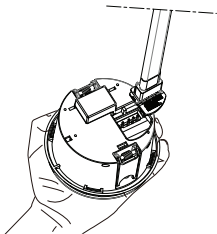
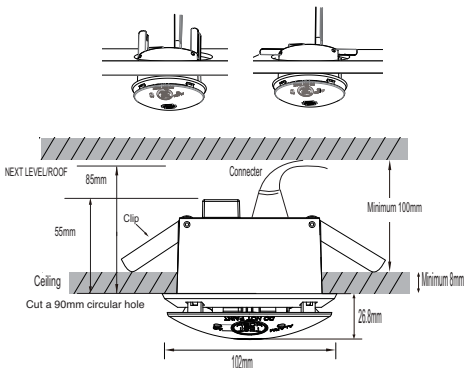


figure 1



1. Cut a 90mm circular hole in the ceiling (or ceiling tile). When mounting in suspended ceilings there should be at least 100mm between the lower surface of the tile and the hard surface above.
2. Insert the connector into the back of the alarm.
3. Fold the plastic ceiling clips back till to 180 degree position and hold it by hands.
4. Insert the clips and smoke alarm into the hole of the ceiling .

6. OPERATION, TESTING AND MAINTENANCE

6.1 **Operation:**

6.1.1 The smoke alarm is operational once all wires are properly connected, The smoke alarm is correctly installed on connector cable and the alarm has been tested.

6.1.2 There are two LED indicators. Each of them has a unique function:

6.1.3 **Red LED**

6.1.3.A **Stand-by condition:** will flash once approximately every 43 seconds to indicate unit is functioning properly.

6.1.3.B The red LED will flash when unit goes into alarm, indicating that products of combustion have been detected. The flashing Red LED and pulsating alarm will continue until the air is cleared. This smoke alarm is equipped with an alarm memory which provide a visual indication when an alarm has been activated. The red LED will be lit solid for 5 minutes if the unit is the initiating alarm. For interconnected units, the Red LED will flash every 0.5 second.

6.1.4 **Blue LED**

6.1.4.A **AC Mains-ON Indicator:** indicates that the unit is operating with AC power. If this LED is off, it indicates that the AC power is off.

6. OPERATION, TESTING AND MAINTENANCE

6.2 **False Alarm Hush Control Feature:**

Note: Dense smoke will override Hush control feature and sound a continuous alarm.

- 6.2.1 This smoke alarm has the capability of being temporarily desensitized for approximately 5 minutes.
- 6.2.2 The smoke alarm is desensitized by pressing the “TEST AND HUSH” button on the smoke alarm cover.
- 6.2.3 After pressing the “TEST AND HUSH” button, the alarm will silence immediately and Red LED latch solid for approximately 5 minutes to indicate the alarm is in the temporary desensitized condition.
- 6.2.4 The smoke alarm will automatically reactivate after approximately 5 minutes. If particles of combustion are still present , the smoke alarm will sound an alarm..
- 6.2.5 The “HUSH” feature may be used repeatedly until the air has cleared.

WARNING: Before using the alarm HUSH feature, identify the source of smoke and be certain that a safe condition exists.

6. OPERATION, TESTING AND MAINTENANCE

6.3 Operating and Alarm Characteristics.

Function	LED Status	Recommendation
Normal	Blue ON	Blue LED indicate the AC mains power is present.
Normal	Red FLASHING every 43 seconds.	Red LED flashes every 38-48 seconds is normal. The smoke alarm performs a self test every 38-48 seconds. The battery and electronics is tested for the life of the unit.
Alarm mode	Red light is SOLID. Smoke alarm activated,	Indicate smoke alarm has activated and is in alarm mode. The Red LED will latch solid for 5 minutes after the alarm and then goes off.
Alarm mode	Red Light is OFF. Smoke alarm activated.	Smoke alarm in full alarm. Other interconnected units may have activated the alarm. Check other smoke alarms or devices.
Hush mode	Red light is flashing for 5 minutes.	Hush mode is activated by pressing the hush button. Red LED will flash every 10 seconds for 5 minutes until hush is automatically deactivated. See page 10.
Low Battery	Blue ON, Flashing red light every 43 seconds.	Smoke alarm chirp every 43 Seconds. May indicate low battery status. Replace the battery. Do not confuse with Hush mode.
Fault	Red light is SOLID	If the red light is constantly solid for more than 15 minutes and there is no sign of alarms. Could mean a potential fault with the unit. Replace the alarm. Do not confuse with memory latch.

7. BATTERY TEST

NOTE: NO USER REPLACEABLE PARTS INSIDE.

- 7.1 Rechargeable battery must be checked periodically. We recommend a periodic weekly battery test.
- 7.2 Smoke alarm must be connected to mains power for 8 hours for the battery to be fully charged.
- 7.3 If the battery is weak, the Red LED will flash every 43 seconds and sound a chirp. We recommend that you check the AC mains power and allow up to 8 hours to fully charge the battery. If chirping continues even after sufficient charging, we recommend you replace the smoke alarm.

8. REPAIRS AND SERVICES

- 8.1 If the smoke alarm is defective in any way, do not tamper with the unit. Return the unit to your supplier (See warranty for instructions on in-warranty returns). Service charges may apply.
Note: NO USER REPLACEABLE PARTS INSIDE.

9. GOOD SAFETY HABITS

The use of this product should not be seen as a substitute for basic safety precaution in the prevention of FIRE.

There are situations where a smoke alarm may not be effective to protect against fire:

- 9.1 smoking in bed;
- 9.2 leaving children home alone;
- 9.3 cleaning with flammable liquids, such as petrol.

10. THE LIMITATIONS OF SMOKE ALARMS

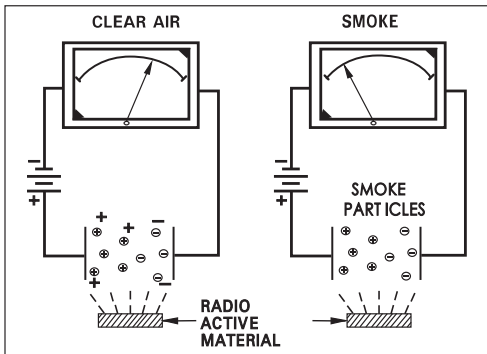
- 10.1 Smoke alarms are devices that can provide early warning of possible developing fires at a reasonable cost.
- 10.2 Alarms have sensing limitations. Ionisation sensing alarm may detect invisible fire particles (associated with fast flaming fires) sooner than Photo-electric alarms. Photo-electric sensing alarm may detect visible fire particles (associated with slow flaming fires) sooner than Ionisation alarms. Home fires develop in different ways and are often unpredictable. Neither type of alarm (photo-electric/ionisation) is always best and a given alarm may not always provide warning of a fire. We strongly recommend that both ionisation and photoelectric smoke alarms be installed to help insure maximum detection of the various types of fires that can occur within the home.
- 10.3 Smoke alarms have certain limitations. For battery powered smoke alarms, the battery must be in good condition and installed properly.
- 10.4 AC powered alarms will not operate if AC power has been cut off, such as by an electrical fault, open fuse or circuit-breaker, or fire. However, the battery back-up will activate the alarm if in good working order.
- 10.5 Smoke alarms must be tested regularly to ensure that the batteries and alarm circuit are in good operating condition.
- 10.6 Smoke alarms cannot provide an alarm if smoke does not reach the alarm. Therefore, smoke alarm may not sense fires starting in chimneys, walls, on roofs, on the other side of a closed door, or on a different floor.
- 10.7 If the alarm is located outside the bedrooms, or on a different floor, it may not wake up a sound sleeper. A smoke alarm in the bedroom, therefore, is recommended.
- 10.8 Smoke alarms have been significant in saving lives in many parts of the world. However, U.S. Government research indicates that they may not give early enough warning in up to 35% of fires. Hence, the use of this product does not substitute for basic prevention and total protection.
- 10.9 Although smoke alarms can help save lives by providing early warnings of a fire, they are not a substitute for an insurance policy.

10. THE LIMITATIONS OF SMOKE ALARMS

- 10.10 This smoke alarm alone will not alert the hearing impaired. Use special purpose smoke alarm with lights or vibrating devices, for those hard of hearing.
- 10.11 Heat alarms are available to offer greater security when used in conjunction with smoke alarms.
- 10.12 Life safety from fire in residential occupancies is based primarily on early notification to occupants of the need to escape, followed by the appropriate egress actions by those occupants. Fire warning systems for dwelling units are capable of protecting about half of the occupants in potentially fatal fires. Victims are often intimate with the fire, too old or young, or physically or mentally impaired such that they cannot escape even when warned early enough that escape should be possible. For these people, other strategies such as protection-in-place or assisted escape or rescue are necessary.

11. OPERATING PRINCIPLES OF SMOKE ALARMS

IONISATION CHAMBER:

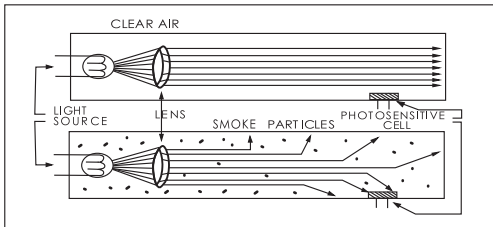


A man-made radio-active element, Americium 241 is used in this design. This element ionises the air round it and as a result, excellent conductivity is possible refer to illustration showing 'Clear Air'. Current supplied by either the mains power (where applicable), or the battery would pass through the gap with ease without causing any alarm. However, in the event of particles arising from combustion or dust particles (refer illustration showing 'Smoke') entering the Sensing Chamber, it encapsulates the ionised air. This interaction causes an increased resistance to conductivity. When this occurs, the alarm is activated.

Ionisation type smoke alarm is best for detecting flaming fires.

11. OPERATING PRINCIPLES OF SMOKE ALARMS

PHOTOELECTRIC CHAMBER:



A light transmission source and a photosensitive receiver is used in this design. Light that is transmitted fall upon the receiver. When smoke or dust enters the light path, some of the light is scattered or absorbed. The result of a reduction of light falling upon the photosensitive receiver will cause an alarm.

Photoelectric smoke alarm is best for detecting smoldering fires.

12. DEVELOP AND PRACTICE A PLAN OF ESCAPE

BASIC OF ESCAPE PLAN:

- 12.1 Make a floor plan indicating all doors and windows and at least two escape routes from each room. Second storey windows may need a rope or chain ladder.
- 12.2 Have a family meeting and discuss your escape plan, showing everyone what to do in case of fire.
- 12.3 Determine a place outside your home where all of you can meet, if a fire occurs.
- 12.4 Familiarize everyone with the sound of the smoke alarm and practice leaving your home when they hear it.

12. DEVELOP AND PRACTICE A PLAN OF ESCAPE

- 12.5 Practice a fire drill at least every six months including drills at nights. Practice allows you to test your plan before an emergency. You may not be able to reach your children. *It is important that they know what to do!*
- 12.6 Install and maintain fire extinguishers on every level of the home and in the kitchen, basement and garage. Know how to use a fire extinguisher prior to an emergency.
- 12.7 Current studies have shown smoke alarms may not awaken all sleeping individuals, and that it is the responsibility of individuals in the household that are capable of assisting others to provide assistance to those who may not be awakened by the alarm sound, or to those who may be incapable of safely evacuating the area unassisted.

13. WHAT TO DO WHEN THE ALARM SOUNDS

- 15.1 Alert small children in the home.
- 15.2 Leave immediately by your plan of escape. Every second counts, so don't waste time getting dressed or picking up valuables.
- 15.3 In leaving, don't open any inside door without first feeling its surface. If hot, or if you see smoke seeping through cracks, don't open that door! Instead, use your alternate exit. If inside door is cool, place your shoulder against it, open it slightly and be ready to slam it shut if heat and smoke rush in.
- 15.4 Stay close to the floor if air is smoky. Breathe shallowly through a wet cloth if possible.
- 15.5 Once outside, go to your selected meeting place and make sure everyone is there.
- 15.6 Call the Fire Brigade from your neighbour's home - not from yours!
- 15.7 Don't return to your home until officials say that it is safe to do so.
- For further information on fire safety contact your local Fire Brigade.**

14. INSTALLER PLEASE NOTE

- 16.1 Before you connect the mains power, check wiring polarity.
- 16.2 A new smoke alarm with built-in rechargeable battery may have low battery voltage due to storage. It may require up to 8 hours for charging on mains power to bring its battery to full capacity. The smoke alarm may chirp until the battery is fully charged.
- 16.3 If the alarm 'chirps' again, press the Test button to check the battery condition.
- 16.4 If 'chirps' persists, replace smoke alarm and return to your supplier for replacement.

NOTE: NO USER REPLACEABLE PARTS INSIDE.

15. WARNING: INSULATION TEST

- 15.1 **UNDER NO CIRCUMSTANCES MUST AN INSULATION RESISTANCE TEST BE CARRIED OUT ON A CIRCUIT TO WHICH A SMOKE ALARM IS FITTED.**
- 15.2 **THE TEST COULD CAUSE IRREPARABLE DAMAGE TO THE INTERNAL CIRCUITRY OF THE SMOKE ALARM AND MAKE IT INOPERATIVE.**
- 15.3 **THE WARRANTY WOULD BE VOID UNDER SUCH CIRCUMSTANCES.**

NOTE: WEEKLY TESTING IS RECOMMENDED!

16. WARRANTY AND LIABILITY

- 16.1 PSA Products Pty Ltd (ABN: 99 076 468 703) of 17 Millicent Street, Burwood 3125 Victoria, Australia warrants this product for a period of five years from the date of purchase, as reflected on the Authorised Reseller's or Distributor's invoice / receipt provided to you. PSA Products Pty Ltd will repair or replace the product (at the option of PSA Products) due to any manufacturing defect, at the cost of PSA Products Pty Ltd (excluding any labour costs relating to removal or re-installation of product, and transport costs).
- 16.2 This warranty shall not apply to the product if it has been damaged, modified, abused or altered after the date of purchase, or if it fails to operate due to improper maintenance.
- 16.3 To the extent permitted by law, the liability of PSA Products Pty Ltd arising from the sale or under the terms of this limited warranty shall not in any case exceed the cost of replacement and subject to this clause. In no case shall PSA Products Pty Ltd be liable for consequential loss or damages resulting from the failure of the product or breach of this, or: Any other warranty, express or implied, loss or damage caused by failure to abide by the instructions supplied in the leaflets.
- 16.4 To the extent permitted by law, PSA Products Pty Ltd., makes no warranty, expressed or implied, written or oral, including that of merchantability or fitness for any particular purpose, with respect to the consumer replaceable battery if any. A product with non-serviceable built-in battery is covered under warranty of the product as per point 18.1.
- 16.5 This warranty is provided in addition to other rights and remedies you have under law: Our goods come with guarantees that cannot be excluded under the Australian Consumer Law. You are entitled to a replacement or refund for a major failure and compensation for any other reasonably foreseeable loss or damage. You are also entitled to have the goods repaired or replaced if the goods fail to be of acceptable quality and the failure does not amount to a major failure. What constitutes a major failure is set out in the Australian Consumer Law.
- 16.6 To make a claim under warranty, take the product (with a proof of purchase) to the store where you purchased the product or contact PSA Products Pty Ltd. Phone (03) 9888 9889. or Email: enquiry@psaproducts.com.au with details, proof of purchase or expense claim in writing.

Warranty Form

Register this product for warranty to ensure fast and effective service. Please visit our website www.psaproducts.com.au to register.

Otherwise, Please retain this warranty section and complete the details below. When you claim Warranty for the product. Please present this section together with the faulty product.

Model: _____ Serial Number: _____

Date Of Purchase/ Installation: _____ Invoice No: _____.

Installed By: _____

Owner's Details: _____

This smoke alarm has an expected service life of 10 years under normal conditions. It is recommended to replace the smoke alarm after 10 years to ensure normal operation.

**THIS SMOKE ALARM HAS BEEN TESTED AND COMPLIES TO
AS3786**

**DEAR ELECTRICIAN:
PLEASE LEAVE THIS MANUAL FOR THE OWNER.
THANK YOU FOR CHOOSING THIS SMOKE ALARM.**



Tested and Complies to AS3786



N10116

AUSTRALIA PATENT S/N 2008200075
AUSTRALIAN ELECTRICAL AUTHORITY - CSXXXX

Another Quality Product By:

PSA Products Pty Ltd

17 Millicent Street, Burwood, Victoria 3125

Ph: 1300 PSA PRODUCTS(1300 772 776)

Fax: (03) 9888 9993

Email:enquiry@psaproducts.com.au

Website:www.psaproducts.com.au

1399-7201-00