



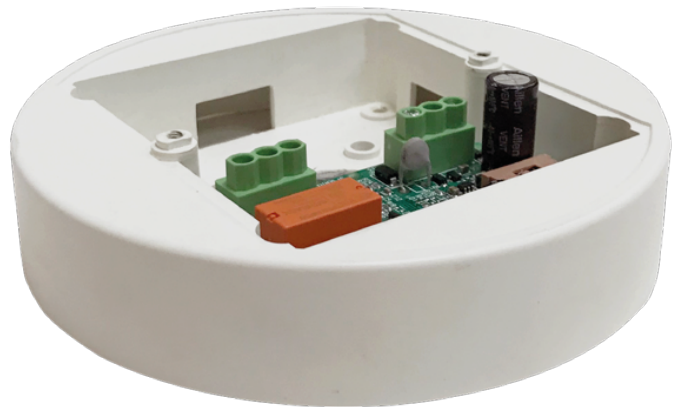
LIFESAVER

ISOLATION RELAY WITHIN MOUNTING BLOCK

MODEL LIFSAIRMB

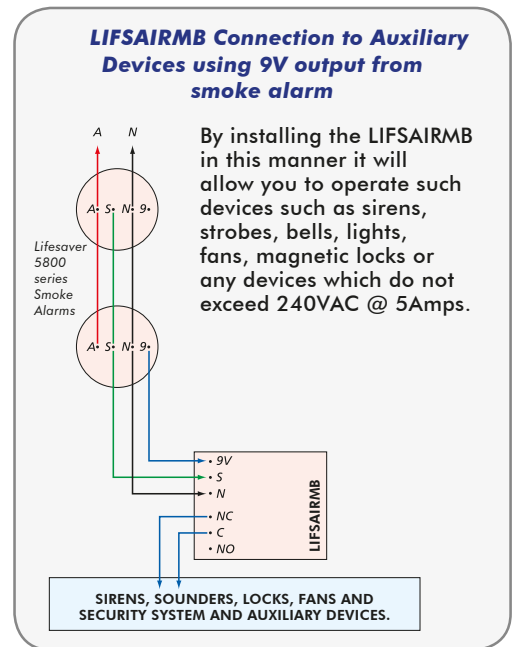
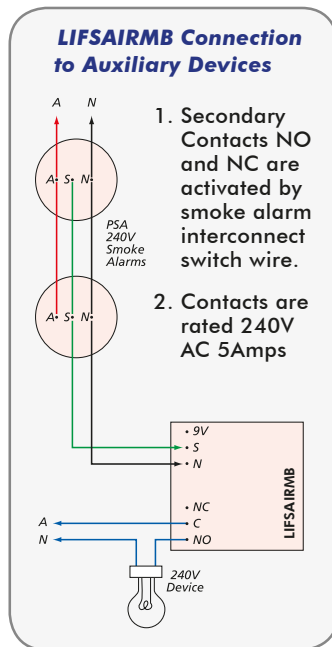
FEATURES

- Relay is housed within a smoke alarm surface mounting block.
- Isolation relay for Lifesaver smoke, heat and CO alarms for connection to auxiliary devices such as sirens, sounders, emergency lights, security and fire panels.
- Operates in absence of mains voltage and only when alarm device is in alarm state.
- Selectable relay options; latching, pulse and CO latching mode.
- 240V AC / 30V DC 5Amp contact rating
- Normally Open and Normally Close contact options
- When CO latching mode is selected, only CO alarm activation will trigger the isolation relay.



SPECIFICATIONS

Operating Coil Voltage	5V - 10V DC
Secondary Contacts	Normally Open Normally Closed (change-over contacts)
Contact options	Pulse, Latching, CO Latching
Secondary Contact Rating	240V AC 50Hz @ 5 Amps 30V DC @ 5 Amps
Contact Switching Time Delay	4 seconds once activated
Maximum No. of interconnected smoke alarms to a single LIFSAIR unit	24
Maximum number of LIFSAIRMB relay connected to one smoke alarm	3
Operating Temperature	0° - 50°C
Dimensions	125mm Diameter 24mm High



Compatible with PSA's complete range of smoke alarms, heat alarms and carbon monoxide alarm.

*Refer to Installation and User Manual for further information.
Due to PSA commitment to continual product improvement, specification may change without notice.

FIRE • SECURITY • INTERCOMS

1300 772 776 enquiry@psaproducts.com.au
psaproducts.com.au

