



panacom[®]

COLOUR VIDEO DOORPHONE KIT INSTRUCTION MANUAL

“Choose **PSA** for intercoms”



PAN780SK
PAN780FK
Version 2.0

FIRE • SECURITY • INTERCOMS

psaproducts.com.au

CONTENTS

	PAGE
1. Features	3
2. Kit Components	3
3. Outdoor Camera Specifications	3
4. Indoor Monitor Specifications	4
5. Indoor Monitor Installation	5
6. Outdoor Camera Installation	6
7. Wiring & Maintenance Instructions	7
8. Operating Instruction	11
9. Warranty & Liability	12

1. FEATURES

1. 21mm slim indoor monitor with touch buttons
2. Weather and vandal resistant outdoor camera
3. 7" LED screen, no radiation, low power consumption and high definition.
4. Hands free communication to door.
5. Hands free internal paging communication to monitors
6. Surface touch function.
7. Unlock two doors respectively.
8. Monitoring the outside of house.
9. Fourteen polyphonic melodies.
10. Ring volume, talking volume, chroma and brightness adjustable.

2. KIT COMPONENTS

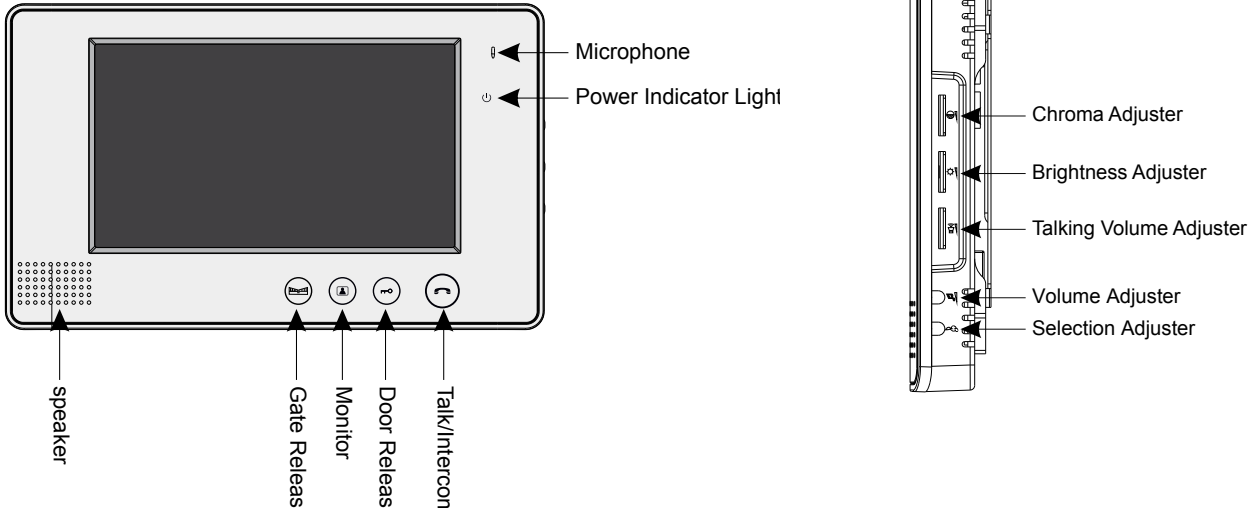
- One indoor monitor
- One outdoor camera
- One adapter
- One bracket for indoor monitor
- One Rain Hood
(surface mount kit only)
- Screws & Accessory Pack

3. OUTDOOR CAMERA SPECIFICATIONS

1. IR distance approx 3m
2. Automatic gain control
3. Working temperature: -20°C~50°C
4. Resolution: More than 420TVL
5. Surface camera dimension:
Without rain hood:
98(W) x 173(H) x 35(D) mm
With optional rain hood:
105(W) x 183(H) x 55 (D) mm
6. Flush camera dimensions:
Plate: 131(W) x 190(H) x 2(D) mm
Wallbox: 111(W) x 170(H) x 45 (D) mm
7. Door lock voltage output:
12VDC 500mA



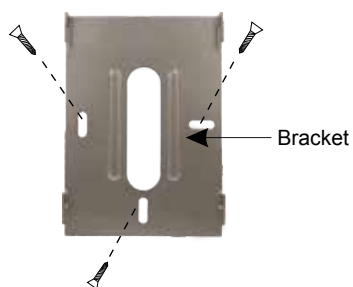
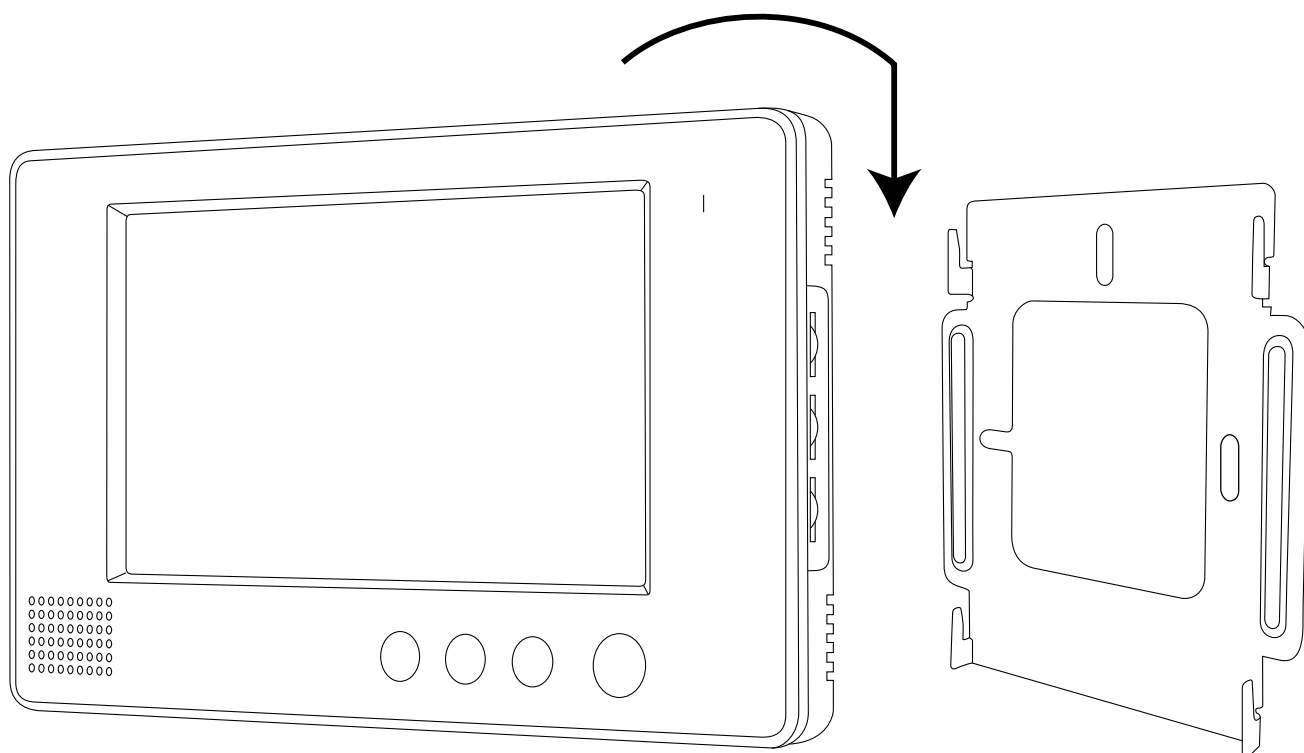
4. INDOOR MONITOR SPECIFICATIONS



1. Adapter input voltage: AC110-240V/ 60Hz-50Hz
2. Adapter output voltage, output current: DC15V 1200mA
3. Talking last time: 120S±10%
4. Monitoring last time: 40S±10%
5. Working distance: 30M (4 x 0.5mm²)
6. Power consumption: standby <0.5W, working <10W
7. Illumination intensity: 2 lucas
8. Visual angle: 92° wide-angle
9. Working temperature: -5°C~40°C
10. Relative humidity: 10-90% (RH)
11. Indoor monitor dimension: 232 (W) X 140 (H) X 21 (D)
12. Lock B Contact Rating: 9 - 30Vdc 2A

PARAMETER	SPECIFICATIONS	UNIT
Screen Size	7.0	Inch
Resolution	480 x 3 x 234	Dot
Active Area	154.1 (H) X 86.58 (V)	mm
Pixel Size	0.107 (W) X 0.37 (H)	mm
Screen Figure Dimension	169.4 (W) X 100 (H) X 5.7 (D)	MM

5. INDOOR MONITOR INSTALLATION



Picture 1.

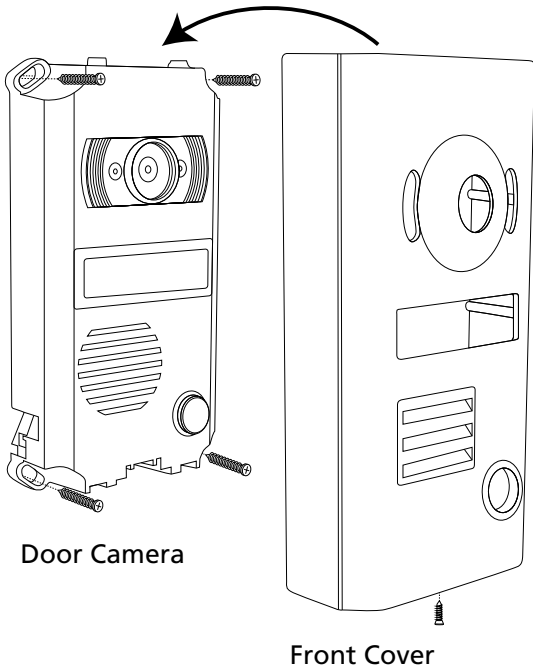


Picture 2.

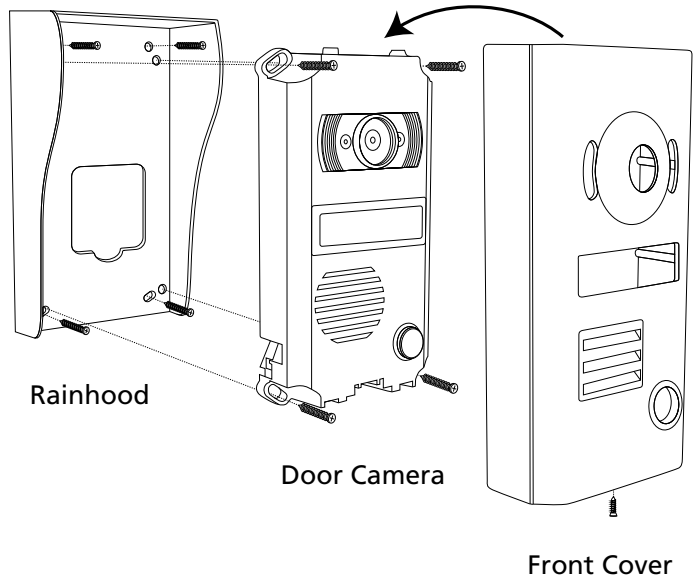
1. Fix the bracket of the video indoor monitor on the wall with screws (Picture 1).
2. Hang the monitor on the bracket after finishing the wire connection. Plug the enclosed adapter into the sockets of AC power and the monitor (Picture 2).

6. OUTDOOR CAMERA INSTALLATION

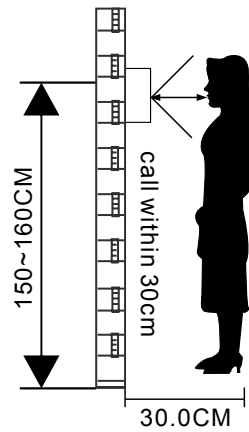
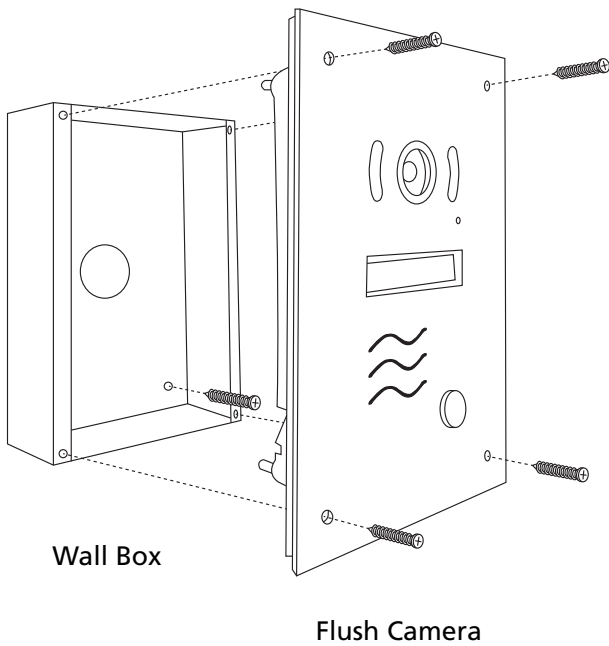
SURFACE CAMERA WITHOUT RAINHOOD



SURFACE CAMERA WITH RAINHOOD



FLUSH CAMERA



N.B to label the nameplate, remove the front cover to access the nameplate

7. WIRING & MAINTENANCE INSTRUCTIONS

Cable Specifications:

- 0 to 30m: minimum CAT 5 or 4 Core Stranded 0.50mm²
- 30 to 80m: minimum 4 core Stranded 0.75mm²

1. To avoid any interference, all intercom cables should maintain 50mm separation from 240VAC wires
2. Never install door camera directly facing sunlight. This will create a white image on indoor monitor and may damage the camera lens over time.
3. Do not install the monitor or power supply in areas of high temperature or high humidity.
4. To clean the monitor or door camera, use only a damp soft cloth. Do not use cleaning agents, chemicals or spray directly with water.
5. Please note, nearby wireless devices may cause fuzzy pictures due to interference from radio waves.

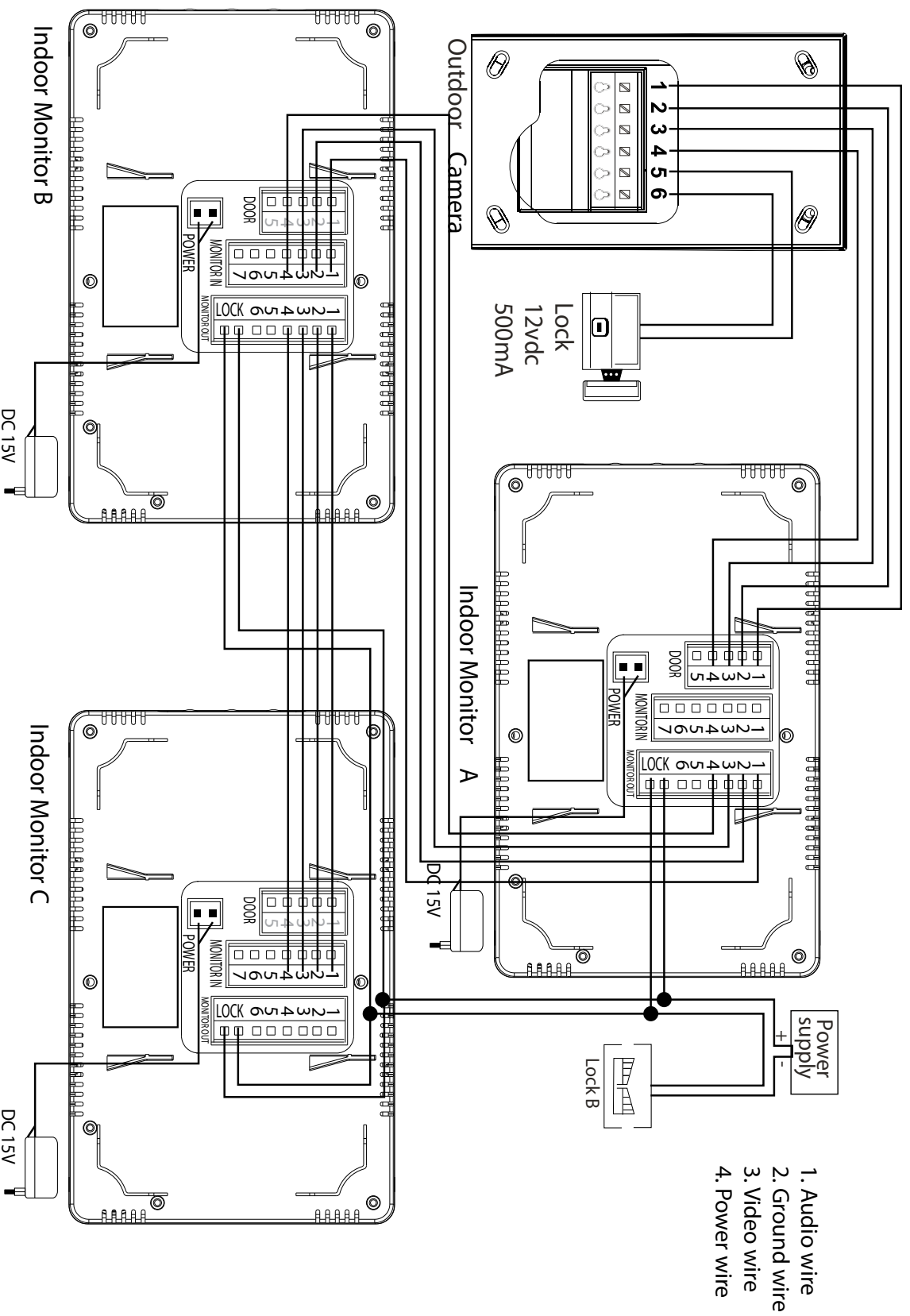
Door Station Terminal Legend:

- 1 = Audio Wire
- 2 = Ground Wire
- 3 = Video Wire
- 4 = Power Wire
- 5 = Lock + (12VDC 500mA)
- 6 = Lock -
- 7 = ID (used only for door station with proximity reader)

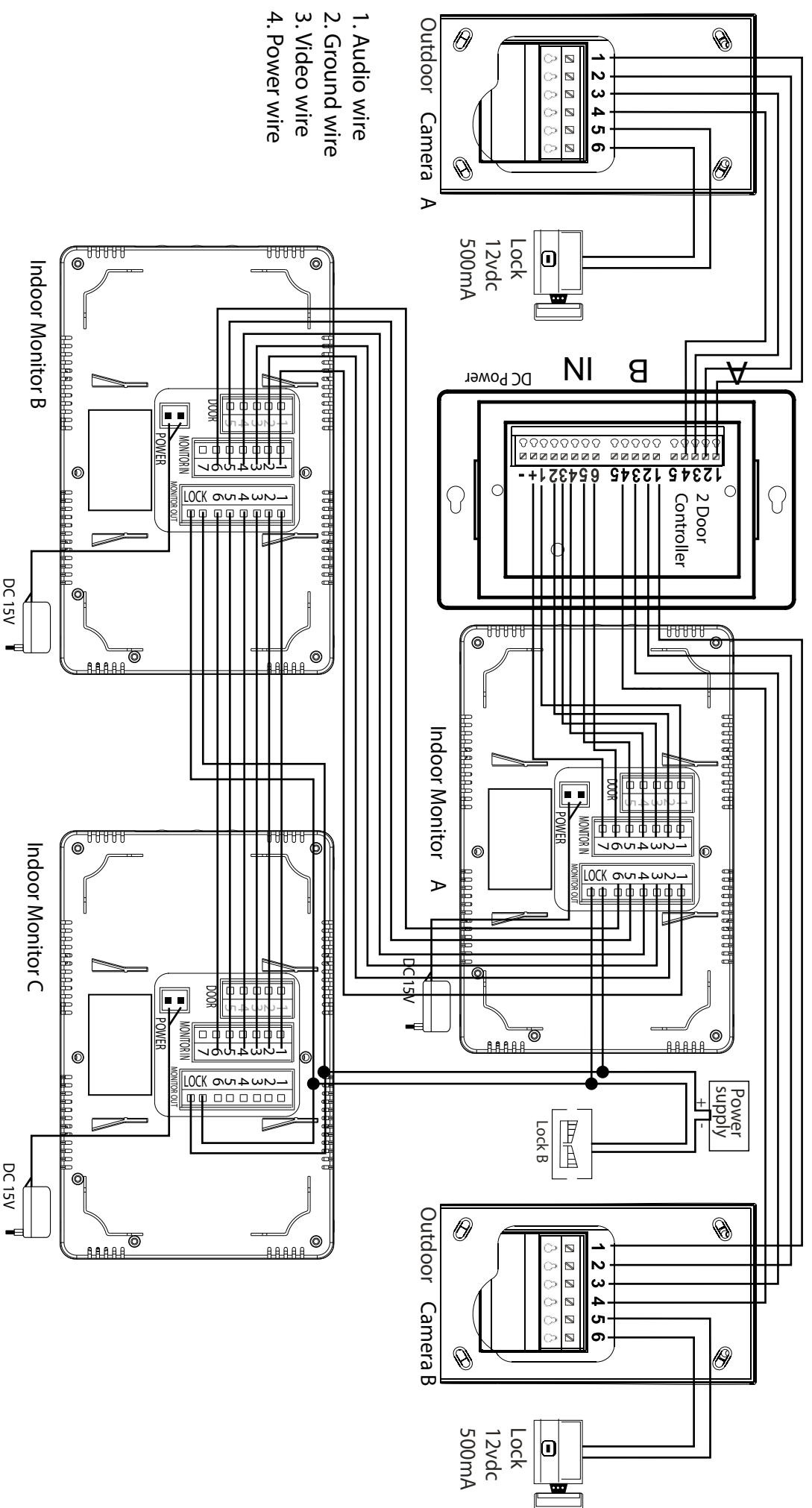
Indoor Monitor Terminal Legend:

- 1 = Audio Wire
- 2 = Ground Wire
- 3 = Video Wire
- 4 = Power Wire
- 5 = Ground Wire (used with 2 Door Controller Only)
- 6 = Monitoring Wire (used with 2 Door Controller Only)
- 7 = ID (used only for door station with proximity reader)
- Lock = Normally Open Contact (9 - 30VDC 2A)

PAN780SK/FK: One Door to Three Monitors Wiring Diagram









PAN780SK/FK: Two Doors to Three Monitors Diagram





1. Audio wire
2. Ground wire
3. Video wire
4. Power wire

8. OPERATING INSTRUCTION

1. Rings/chimes will be heard & images of visitors will be seen on the monitor once the CALL button of door camera is pressed.
2. To talk to the visitor, touch TALK .
3. If the system is connected to an electric strike, touch DOOR UNLOCK .
4. If the system is connected to a motorised gate, touch GATE UNLOCK .
5. To end the conversation, touch TALK  again. Talk mode will automatically shut down after approximately 120 seconds if not ended.
6. To call internal monitor, when in standby mode, touch the TALK  button. Other monitors in the system will ring/ chime (no video). To talk to calling monitor, touch the TALK  button on receiving monitor.

Please Note: This intercom feature is a general paging intercom. If a system has more than 2 monitors, other monitors can hear the conversation.

7. To manually view or monitor the front door, touch MONITOR .
8. To end monitoring, touch MONITOR  again. Monitoring mode will automatically end after approximately 40 seconds.
9. To adjust brightness, colour & talking volume, use the dials on the right side of monitor.
10. To adjust ring tones & volume, use the buttons on the right side of monitor.

9. WARRANTY & LIABILITY

- 1 PSA Products Pty Ltd (ABN: 99 076 468 703) of 17 Millicent Street, Burwood 3125 Victoria, Australia warrants this product for a period of two years from the date of purchase, as reflected on the Authorised Reseller's or Distributor's invoice / receipt provided to you. PSA Products Pty Ltd will repair or replace the product (at the option of PSA Products) due to any manufacturing defect, at the cost of PSA Products Pty Ltd (excluding any labour costs relating to removal or re-installation of product, and transport costs).
- 2 This warranty shall not apply to the product if it has been damaged, modified, abused or altered after the date of purchase, or if it fails to operate due to improper maintenance.
- 3 To the extent permitted by law, the liability of PSA Products Pty Ltd arising from the sale or under the terms of this limited warranty shall not in any case exceed the cost of replacement and subject to this clause. In no case shall PSA Products Pty Ltd be liable for consequential loss or damages resulting from the failure of the product or breach of this, or: Any other warranty, express or implied, loss or damage caused by failure to abide by the instructions supplied in the leaflets.
- 4 To the extent permitted by law, PSA Products Pty Ltd., makes no warranty, expressed or implied, written or oral, including that of merchantability or fitness for any particular purpose, with respect to the consumer replaceable battery if any. A product with non-serviceable built-in battery is covered under warranty of the product as per point 1.
- 5 This warranty is provided in addition to other rights and remedies you have under law: Our goods come with guarantees that cannot be excluded under the Australian Consumer Law. You are entitled to a replacement or refund for a major failure and compensation for any other reasonably foreseeable loss or damage. You are also entitled to have the goods repaired or replaced if the goods fail to be of acceptable quality and the failure does not amount to a major failure. What constitutes a major failure is set out in the Australian Consumer Law.
- 6 To make a claim under warranty, take the product (with a proof of purchase) to the store where you purchased the product or contact PSA Products Pty Ltd. Phone (03) 9888 9889. or Email: enquiry@psaproducts.com.au with details, proof of purchase or expense claim in writing.

psaproducts.com.au
1300 772 776
enquiry@psaproducts.com.au



“Choose **PSA** for intercoms”

FIRE • SECURITY • INTERCOMS