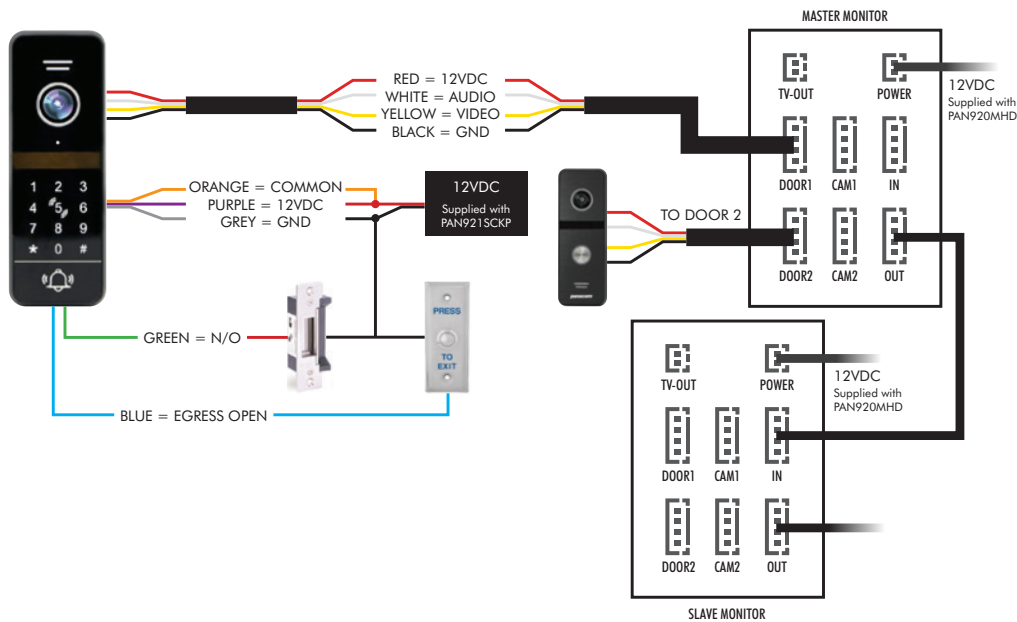


## WIRING DIAGRAM



## 1. SPECIFICATIONS

Input Voltage	12VDC
Current	Standby: ≤30mA, Working: ≤70mA
RFID Tag Frequency	13.56 MHz Mifare
Maximum RFID capacity	200 (000-199)
Maximum User PIN codes	200
Resolution	720P
Viewing angle	120°

\*NOTE: User PIN Codes can only be programmed together with a KEYFOB.  
 If no KEYFOB is used, only the Public Access Code can be used.

## 2. CODE PROGRAMMING

### Programming code definitions:

- Programming code = P
- Access code = A
- New code entry = N
- User code = U

NOTE: codes cannot be sequential or all the same digit, eg. 111111 or 123456 will not work.

### a. Changing Programming Code (Default is 999999)

STEPS	INPUT	RESPONSE	NOTES
1	[*] + [PPPPPP] + [#]	Keypad will Flash slowly	P= existing Programming code to be changed. (default is 999999) Enters programming mode
2	[0]	keypad will flash fast	Code setting address
3	[77]	keypad will continue flashing	Programming code setting address
4	[#] + [NNNNNNN]		N= New Programming code to replace existing
5	[#] + [NNNNNNN]		Repeat the new Programming code to confirm
6	[#]	Keypad will beep twice and flash slow	Confirms code input and returns to programming mode
7	ww[*] + [*]	Keypad will stop flashing	Ends Programming mode

### b. Changing Public Access Code (Default is 123456)

STEPS	INPUT	RESPONSE	NOTES
1	[*] + [PPPPPP] + [#]	Keypad will flash slowly	P= Programming Code. Enters Programming mode
2	[0]	Keypad will flash fast	Code setting address
3	[11]	Keypad will continue flashing	Access code setting address
4	[#] + [NNNNNNN]		N= new access code
5	[#] + [NNNNNNN]		Repeat new access code
6	[#]	Keypad will beep twice and flash slow	Confirms code input and returns to Programming mode
7	[*] + [*]	Keypad will stop flashing	Ends Programming mode

## 3. KEY FOB PROGRAMMING

### a. Setting Programmer FOB's

STEPS	INPUT	RESPONSE	NOTES
1	[*] + [PPPPPP] + [#]	Keypad will flash slowly	P= Programming Code. Enters Programming mode
2	[6]	Keypad will flash fast	FOB programming address
3	[#]		Confirms programming start
4	Tap 'plus' FOB*	Keypad will beep twice	Sets as Adding FOB
5	Tap 'Minus' FOB*	Keypad will beep twice and will flash slow	Sets as Removal FOB and returns to Programming mode
6	[*] + [*]	Keypad will stop flashing	Ends Programming mode

\* The plus and minus printed on the Fobs are for convenience, any FOB can be set as programming FOBS.

### b. Adding User FOB's using Programming FOB's

STEPS	INPUT	Response	Notes
1	Tap "plus" fob three times quickly	Keypad will beep twice and flash slowly	Enters quick FOB programming mode
2	Present new user FOBs in sequence	Keypad will beep twice for every successful addition. Keypad will Beep 4 times if FOB has already been added to this keypad.	Repeat sequence until all FOBS have been added.
3	Present "Plus" FOB	Keypad will stop flashing	Ends Programming mode

### c. Removing User FOB's using Programming FOB's

STEPS	INPUT	Response	Notes
1	Tap "Minus" fob three times quickly	Keypad will beep twice and flash slowly	Enters quick FOB programming mode
2	Present user FOBs to be removed in sequence	Keypad will beep twice	Repeat sequence until all FOBS have been added. Keypad will Beep 4 times if FOB has already been removed to this keypad.
3	Present "Minus" FOB	Keypad will stop flashing	Ends Programming mode

## 4. CHANGING USER ACCESS CODES

STEPS	INPUT	Response	Notes
1	[*] + Touch programmed FOB to keypad		
2	[UUUU] + [#]	Keypad will slow flash	U= Existing user code (default is 0000). Enters user code programming
3	[NNNN] + [#]	Keypad will slow flash	N= new user code
4	[NNNN]	Keypad will beep twice and stop flashing	Keypad will end user code programming automatically

## 5. HARD FACTORY RESET

1. Disconnect power
2. Short the blue & grey wires and reconnect power
3. Keypad will beep 3 times
4. Remove the short from blue & grey wires

## 6. SOFTWARE FACTORY RESET

STEPS	INPUT	Response	Notes
1	[*] + [PPPPPP] + [#]	Keypad will flash slowly	P= Programming Code. Enters Programming mode
2	[0]	Keypad will flash fast	Enters administration control
3	[99]		Reset Command
4	[#]	Keypad will flash slow	Confirms reset and returns to Programming mode

NOTE: resetting does not remove key fobs and user codes

## 7. REMOVE ALL USER FOBS AND USER CODES

STEPS	INPUT	Response	Notes
1	[*] + [PPPPPP] + [#]	Keypad will flash slowly	P= Programming Code. Enters Programming mode
2	[2]	Keypad will flash fast	Enters administration control
3	[88]		Reset Command
4	[#]	Keypad will beep seven times and flash slow	Confirms reset and returns to Programming mode

NOTE: does not remove Programming FOBS. Programmer FOBS can only be replaced.