



HiLook  
Powered by HIKVISION

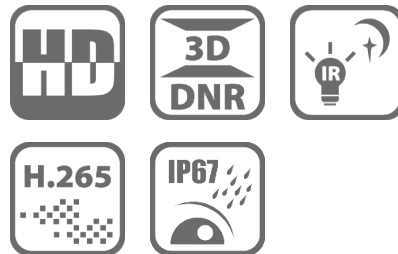
# 5MP MFZ IR NETWORK TURRET CAMERA

HLIPC-T651H-Z



## KEY FEATURES

- 1/2.7" progressive scan CMOS
- 2560 × 1920@12.5fps
- 2.8 mm to 12 mm varifocal lens
- H.265+, H.265, H.264+, H.264
- Dual stream
- 3D DNR (Digital Noise Reduction)
- Up to 30 m IR range
- PoE (Power over Ethernet)
- IP67



FIRE • SECURITY • INTERCOMS

17 Millicent Street, Burwood, VIC 3125 Australia  
Tel: 1300 PSA PRODUCTS (1300 772 776)  
Fax: (03) 9888 9993  
enquiry@psaproducts.com.au psaproducts.com.au

**PSA** PSA Products  
FIRE • SECURITY • INTERCOMS



## SPECIFICATIONS

Model

HLIPC-T651H-Z

Model		HLIPC-T651H-Z
Camera	Image Sensor	1/2.7" progressive scan CMOS
	Min. Illumination	Color: 0.01 Lux @(F1.2; AGC ON), 0.02 Lux @ (F1.6, AGC ON)
	Shutter Speed	1/3 s to 1/100,000 s
	Slow Shutter	Yes
	Auto-Iris	No
	Day & Night	IR cut filter
	Digital Noise Reduction	3D DNR
	WDR	120 dB
	Angle Adjustment	Pan: 0° to 360°, tilt: 0° to 75°, rotation: 0° to 360°
Lens	Focal Length	2.8 to 12 mm
	Aperture	F1.6
	Focus	Auto
	FOV	Horizontal FOV: 98° to 28°, vertical FOV: 71° to 21°, diagonal FOV: 130° to 35°
	Lens Mount	Φ14
IR	IR Range	Up to 30 m
	Wavelength	850 nm
Compression Standard	Video Compression	Main stream: H.265/H.264 Sub stream: H.265/H.264/MJPEG
	H.264 Type	Baseline Profile/Main Profile/High Profile
	H.264+	Main stream supports
	H.265 Type	Main Profile
	H.265+	Main stream supports
	Video Bit Rate	32 Kbps to 8 Mbps
Smart Feature-set	Region of Interest	1 fixed region for main stream and sub-stream
Image	Max. Resolution	2560 × 1920
	Main Stream Max. Frame Rate	50Hz: 12.5fps (2560 × 1920), 20fps (2560 × 1440), 25fps (2304 × 1296, 1920 × 1280, 1280 × 720) 60Hz: 15fps (2560 × 1920), 20fps (2560 × 1440), 30fps (2304 × 1296, 1920 × 1280, 1280 × 720)
	Sub-stream Max. Frame Rate	50Hz: 25fps (640 × 480, 640 × 360, 320 × 240) 60Hz: 30fps (640 × 480, 640 × 360, 320 × 240)
	Image Enhancement	BLC, 3D DNR
	Image Settings	Saturation, brightness, contrast, sharpness, AGC, white balance adjustable by client software or web browser
	Day/Night Switch	Auto, scheduled, day, night

\*Note: The frame rate of the sub-stream cannot exceed the maximum frame rate of the current main stream.



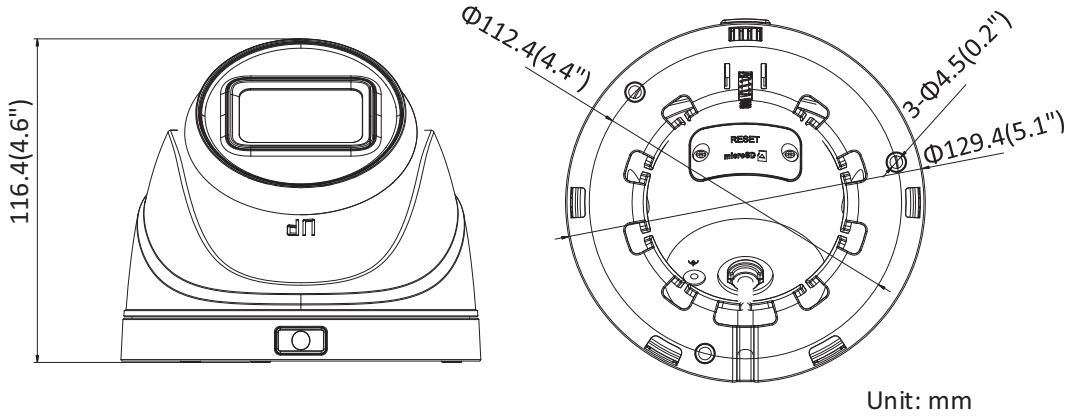
**Model**

HLIPC-T651H-Z

Model		
<b>Network</b>	Network Storage	Support MicroSD/SDHC/SDXC card (128G), local storage and NAS (NFS,SMB/CIFS)
	Alarm Trigger	Motion detection, video tampering alarm, illegal login, network disconnected, IP address conflicted, HDD error, HDD full
	Protocols	TCP/IP, ICMP, HTTP, HTTPS, FTP, DHCP, DNS, DDNS, RTP, RTSP, RTCP, PPPoE, NTP, UPnP, SMTP, SNMP, IGMP, 802.1X, QoS, IPv6 UDP, Bonjour
	General Function	One-key reset, heartbeat, mirror, password protection, privacy mask, watermark, IP address filter
	Firmware Version	5.5.52
	API	ONVIF (PROFILE S, PROFILE G), ISAPI
	Simultaneous Live View	Up to 6 channels
	User/Host	Up to 32 users 3 levels: Administrator, Operator, and User
	Client	HiLookVision PC Client, HiLookVision App
	Web Browser	IE8+, Chrome 41.0-44, Firefox 30.0-51, Safari 8.0-11
<b>Interface</b>	Communication Interface	1 RJ45 10M/100M self-adaptive Ethernet port
	On-board storage	Built-in Micro SD/SDHC/SDXC slot, up to 128G
	Video Out	No
	Reset Button	Yes
<b>General</b>	Operating Conditions	-30 °C to 60 °C (-22 °F to 140 °F), humidity: 95% or less (non-condensing)
	Power Supply	12 VDC ± 25%, 5.5 mm coaxial power plug PoE (802.3af, class 3)
	Power Consumption and Current	12 VDC, 0.9 A, max. 11 W PoE (802.3af, 36 to 57 V), 0.4 A to 0.3 A, max. 12.5 W
	Protection Level	IP67
	Material	Camera body: metal, bottom base: plastic
	Dimensions	Camera: Ø 129.4 mm × 116.4 mm (5.1" × 4.6") With package: 170 mm × 170 mm × 150 mm (6.7" × 6.7" × 5.9")
	Weight	Camera: 450 g (1 lb.) With package: 850g (1.9 lb.)



**DIMENSIONS**



Unit: mm

**ACCESSORY** \*not all stocked



HLDS-1273ZJ-130  
Wall Mount



HLDS-1271ZJ-130  
Pendant Mount



HLDS-1275ZJ-SUS  
Vertical Pole Mount



HLDS-1276ZJ-SUS  
Corner Mount



HLDS-1280ZJ-M  
Junction Box



HLDS-1281ZJ-M  
Inclined Ceiling Mount

**FIRE • SECURITY • INTERCOMS**