



PANOVU IR NETWORK 360° PANORAMIC PTZ CAMERA

HLPTZ-P332ZI-DE3



HiLook PTZ-P332ZI-DE3 PanoVu Mini Series IR Network PTZ Camera, with the integration design, is able to capture 360° images with the panoramic cameras as well as close-up images with the PTZ camera.

SYSTEM FUNCTIONS

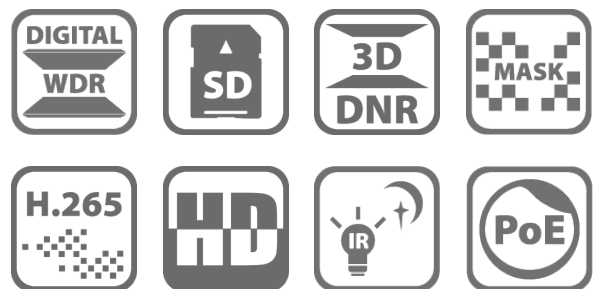
- 3-ch panoramic images in different directions and 1-ch close-up image
- PTZ linkage
- Up to 10 m IR radius

PANORAMIC CAMERA

- Three 1/2.8" progressive scan CMOS
- 3-ch 1920 × 1080@30fps resolution
- Horizontal FOV: 128.5° × 3

PTZ CAMERA

- 1/2.8" progressive scan CMOS
- Up to 1920 × 1080@30fps resolution
- 4× optical zoom, 8× digital zoom



FIRE • SECURITY • INTERCOMS

17 Millicent Street, Burwood, VIC 3125 Australia

Tel: 1300 PSA PRODUCTS (1300 772 776)

Fax: (03) 9888 9993

enquiry@psaproducts.com.au psaproducts.com.au





SPECIFICATIONS

Model	HLPTZ-P332ZI-DE3		
Panoramic Camera	Image Sensor	Three 1/2.8" progressive scan CMOS	
	Min. Illumination	Color: 0.05 Lux @(F2.0, AGC ON) B/W: 0.01 Lux @(F2.0, AGC ON) 0 Lux with IR	
	Shutter Time	50 Hz: 1/25 s to 1/30,000 s 60 Hz: 1/30 s to 1/30,000 s	
	Day & Night	IR Cut Filter	
	Gain	Auto/Manual	
	WDR	Digital WDR	
	Smart Image Enhancement	HLC/BLC/3D DNR/Regional Exposure	
	White Balance	Auto/Manual/ATW (Auto-Tracking White Balance)/Indoor/Outdoor/ Fluorescent Lamp/Sodium Lamp	
	Privacy Mask	4 × 3 programmable privacy masks	
	Focal Length	2 mm	
	Aperture Range	F2.0	
	FOV	Horizontal field of view: 128.5° × 3 Vertical field of view: 75.7° Diagonal field of view: 144°	
	PTZ Camera	Image Sensor	1/2.8" progressive scan CMOS
		Min. Illumination	Color: 0.05 Lux @(F2.0, AGC ON) B/W: 0.01 Lux @(F2.0, AGC ON) 0 Lux with IR
Shutter Time		50 Hz: 1/25 s to 1/30,000 s 60 Hz: 1/30 s to 1/30,000 s	
Day & Night		IR Cut Filter	
Gain		Auto/Manual	
WDR		Digital WDR	
Smart Image Enhancement		HLC/BLC/3D DNR/Regional Exposure/Regional Focus	
White Balance		Auto/Manual/ATW (Auto-Tracking White Balance)/Indoor/Outdoor/ Fluorescent Lamp/Sodium Lamp	
Privacy Mask		8 programmable privacy masks	
Digital Zoom		8×	
Focus Mode		Semi-automatic/Manual	
Focal Length		2.8 mm to 12 mm, 4× optical zoom	
Zoom Speed		Approx.5.4 s (optical, wide - tele)	
FOV		Horizontal field of view: 120° to 56.6° (wide - tele) Vertical field of view: 61.8° to 31.7° (wide - tele) Diagonal field of view: 149° to 65° (wide - tele)	
Min. Working Distance		10 mm to 1500 mm (wide - tele)	
Aperture Range		F2.0 to F2.4	
Pan and Tilt Range		Pan: 0° to 350°; Tilt: 0° to 90°	
Pan and Tilt Speed		Pan speed: 0.1°/s to 30°/s (configurable), preset speed: 30°/s Tilt speed: 0.1°/s to 30°/s (configurable), preset speed: 30°/s	
Proportional Zoom		Support	
Preset Number		300	
Power-off Memory		Support	
PTZ Status Display		Support	
Preset Freezing	Support		
Scheduled Task	Preset/Dome Reboot/Dome Adjust		
Dual-VCA	Support		
Smart Event Detection	Audio Exception Detection, Intrusion Detection, Line Crossing Detection		



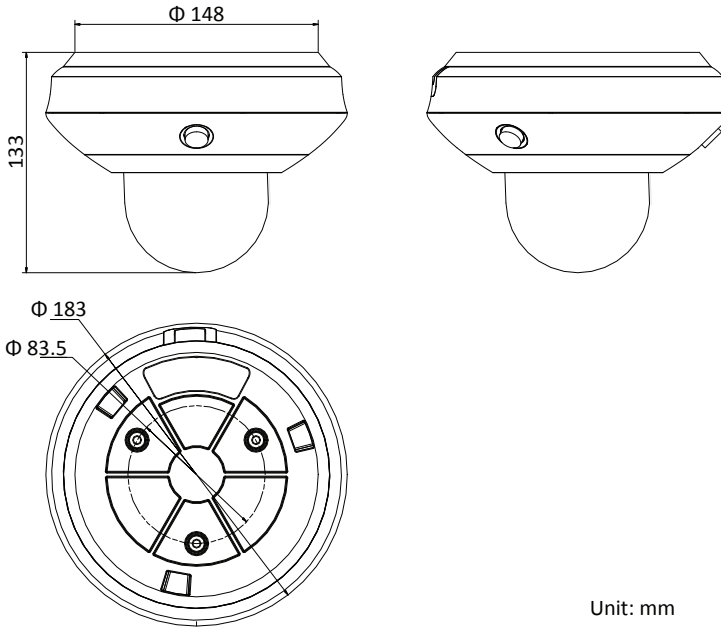
Model

HLPTZ-P332ZI-DE3



	IR Up to 10 m IR (radius)
	PTZ Linkage Support
	SVC Support
	ROI Main stream supports eight fixed areas.
	Video Compression Main stream: H.265/H.264/MJPEG H.264: Main Profile/High Profile
	Video Bitrate 32 Kbps to 8192 Kbps
System	Audio Compression G.711alaw/G.711ulaw/G.722.1/G.726/MP2L2
	Audio Bitrate G.711alaw/G.711ulaw: 64 Kbps G.722.1/G.726: 16 Kbps MP212: 32 Kbps/64 Kbps/128 Kbps
	Resolution Main stream: 50 Hz: 25 fps (1920 × 1080, 1280 × 720, 704 × 576, 640 × 480, 352 × 288) 60 Hz: 30 fps (1920 × 1080, 1280 × 720, 704 × 480, 640 × 480, 352 × 240)
	Basic Event Detection Motion Detection, Video Tampering Detection, Exception
	Smart Record ANR (Automatic Network Replenishment)
	Network Storage Built-in memory card slot, support Micro SD/SDHC/SDXC, up to 256 GB
	Protocols IPv4/IPv6, HTTP, HTTPS, 802.1x, Qos, FTP, SMTP, UPnP, SNMP, DNS, DDNS, NTP, RTSP, RTCP, RTP, TCP/IP, DHCP, PPPoE, Bonjour
	API Open-ended, support ONVIF, ISAPI, and CGI, support HIKVISION SDK and Third-Party Management Platform
Network	Simultaneous Live View Up to 4 × 4 channels
	User/Host Up to 32 users 3 levels: Administrator, Operator and User
	Security Measures User authentication (ID and PW), Host authentication (MAC address); HTTPS encryption; IEEE 802.1x port-based network access control; IP address filtering
	Client iVMS-4200, iVMS-4500, iVMS-5200, Hik-Connect
	Web Browser IE 8 to 11, Chrome 31.0 to 44, Firefox 30.0 to 51
Interface	Network Interface 1 RJ45 10 M/100 M Ethernet
	Audio Interface 1-ch audio input and 1-ch audio output
	Power 12 VDC & PoE+ (802.3 at, class 4) Max.24 W (Max. 6 W for IR)
	Working Temperature -10°C to 50°C (14°F to 122°F)
	Working Humidity ≤ 90%
General	Protection Level TVS 2000V Lightning Protection, Surge Protection and Voltage Transient Protection
	Material PC + ABS & Aluminum alloy
	Dimensions Φ 183 mm × 133 mm (Φ 7.20" × 5.24")
	Weight Approx. 0.9 kg (1.98 lb)



DIMENSIONS



ACCESSORIES

Wall Mounting Bracket HLDS-1294ZJ-TRL	
Pendant Mounting Bracket HLDS-1271ZJ-PT10	

FIRE • SECURITY • INTERCOMS