



8CH 2MP TURBO HD BULLET CAMERA KIT

HLTK4282BH-UMC



KEY FEATURES

- 8CH DVR with 2TB HDD
- 4 x 2MP high-performance bullet cameras
- 4 x 18m cable, power splitter and power supply
- 2.8mm fixed focal lens
- EXIR 2.0, smart IR, up to 20 m IR distance
- 4 in 1 camera output (switchable TVI/AHD/CVI/CVBS)
- IP66, 12VDC

DVR FEATURES AND FUNCTIONS

Video Input and Transmission

- Self-adaptive HDTVI/HDCVI/AHD/CVBS signal input
- Up to 4-ch 6 MP IP cameras input for DVR-208U-K1
- 8 MP/5 MP/4 MP HDTVI video input and live view for DVR-208U-K1, and 5 MP/4 MP for DVR-204U-K1
- Defogging function enabled for the supported analog cameras
- Long distance transmission over UTP and coaxial cable: max. 800m for 1080p and 1200m for 720p HDTVI signal

Compression and Recording

- H.265+/H.265/H.264+/H.264 encoding for the main stream, and H.265/H.264 for the sub-stream of analog cameras
- Connectable to H.265+/H.265/H.264+/H.264 IP cameras
- H.265+ can be enabled to improve encoding efficiency and reduce data storage costs
- Full channel recording at up to 8 MP resolution

Video Output

- Simultaneous HDMI/VGA output
- HDMI output at up to 4K (3840 × 2160) resolution for DVR-208U-F1

Storage and Playback

- 1 SATA interface (up to 8 TB capacity per HDD)
- 4/8-ch synchronous playback
- Smart search for efficient playback
- Supports the 3rd party cloud storage (Dropbox/Google Drive/Microsoft OneDrive)

Smart Function

- Supports multiple VCA (Video Content Analytics) events for both analog and smart IP cameras
- Supports line crossing detection and intrusion detection of all channels, and 2-ch sudden scene change detection
- VCA information overlay in live view and smart playback
- VQD (Video Quality Diagnostics)
- Supports PTZ control via Omnicast VMS of Genetec protocol

Network & Ethernet Access

- Hik-Connect & DDNS (Dynamic Domain Name System) for easy network management
- 1 RJ45 10M/100M self-adaptive Ethernet interface for DVR-204U-K1, and 1 RJ45 10M/100M/1000M self-adaptive Ethernet interface for DVR-208U-K1
- Output bandwidth limit configurable



FIRE • SECURITY • INTERCOMS

17 Millicent Street, Burwood, VIC 3125 Australia

Tel: 1300 PSA PRODUCTS (1300 772 776)

Fax: (03) 9888 9993

enquiry@psaproducts.com.au psaproducts.com.au





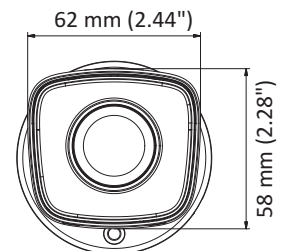
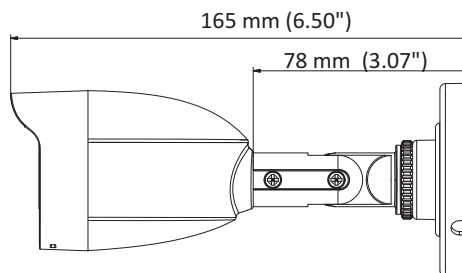
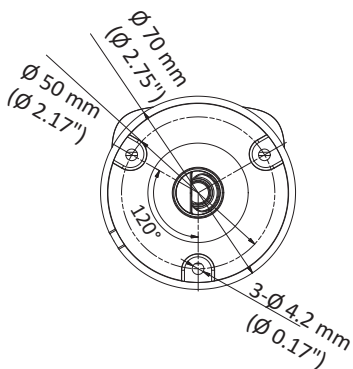
CAMERA SPECIFICATIONS

Model

HLTHC-B120-M

Camera	
Image Sensor	2 MP CMOS image sensor
Signal System	PAL/NTSC
Effective Pixels	1920 (H) × 1080 (V)
Min. Illumination	0.01 Lux@(F1.2, AGC ON), 0 Lux with IR
Shutter Time	1/25 (1/30) s to 1/50,000 s
Lens	2.8 mm
Horizontal Field of View	103° (2.8 mm)
Lens Mount	M12
Day & Night	IR cut filter
Angle Adjustment	Pan: 0° to 360°, Tilt: 0° to 180°, Rotation: 0° to 360°
Synchronization	Internal synchronization
Video Frame Rate	PAL: 1080p@25fps NTSC: 1080p@30fps
Menu	
AGC	High/Medium/Low/Off
D/N Mode	Auto/Color/BW (Black and White)
BLC	Support
DWDR	Support
Language	English
Functions	Brightness, Sharpness, DNR, Mirror, Smart IR
Interface	
Video Output	1 HD analog output
Switch Button	TVI/AHD/CVI/CVBS
General	
Operating Conditions	-40 °C to 60 °C (-40 °F to 140 °F), Humidity: 90% or less (non-condensation)
Power Supply	12 VDC ±15%
Power Consumption	Max. 4 W
Protection Level	IP66
Material	Metal
IR Range	Up to 20 m
Dimensions	165 mm × 62 mm × 58 mm (6.50" × 2.44" × 2.28")
Weight	400 g (0.88 lb.)

DIMENSIONS





DVR SPECIFICATIONS

Model

HLDVR-208U-K1

Model		HLDVR-208U-K1	
Video/Audio input	Video compression	H.265+/H.265/H.264+/H.264	
	Analog video input	8-ch BNC interface (1.0 Vp-p, 75 Ω), supporting coaxitron connection	
	HDTVl input	8 MP, 5 MP, 4 MP, 3 MP, 1080p30, 1080p25, 720p60, 720p50, 720p30, 720p25	
	AHD input	5 MP, 4 MP, 1080p25, 1080p30, 720p25, 720p30	
	HDCVI input	4 MP, 1080p25, 1080p30, 720p25, 720p30	
	CVBS input	PAL/NTSC	
	IP video input	4-ch Up to 6 MP resolution Supports H.265+/H.265/H.264+/H.264 IP cameras	
	Audio compression	G.711u	
Video/Audio output	HDMI/VGA output	VGA: 1-ch, 1920 × 1080/60Hz, 1280 × 1024/60Hz, 1280 × 720/60Hz, 1024 × 768/60Hz HDMI: 1-ch, 4K (3840 × 2160)/30Hz, 2K (2560 × 1440)/60Hz, 1920 × 1080/60Hz, 1280 × 1024/60Hz, 1280 × 720/60Hz, 1024 × 768/60Hz	
	Encoding resolution	8 MP/5 MP/4 MP/ 3 MP/1080p/720p/WD1/4CIF/VGA/CIF	
	Frame rate	Main stream: 8 MP@8fps/5 MP@12fps/4 MP@15fps/3 MP@18fps 1080p/720p/WD1/4CIF/VGA/CIF@25fps (P)/30fps (N) Sub-stream: WD1/4CIF/CIF@25fps (P)/30fps (N)	
	Video bit rate	32 Kbps to 10 Mbps	
	Audio output	1-ch, RCA (Linear, 1 KΩ)	
	Audio bit rate	64 Kbps	
	Dual stream	Support	
	Stream type	Video, Video & Audio	
	Synchronous playback	8-ch	
	Network management	Remote connections	64
		Network protocols	TCP/IP, PPPoE, DHCP, Hik-Connect, DNS, DDNS, NTP, SADP, NFS, iSCSI, UPnP™, HTTPS, ONVIF



Model

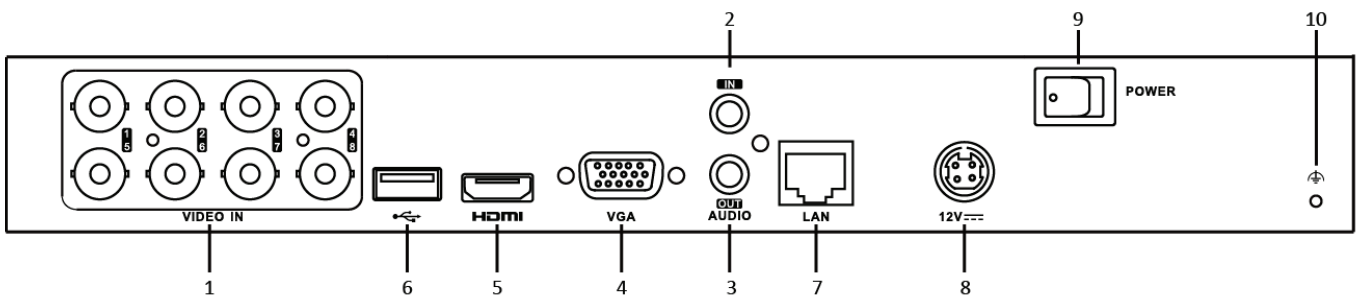
HLDVR-208U-K1

Hard disk	SATA	1 SATA interface
	Capacity	Up to 8 TB capacity for each disk
External interface	Two-way audio input	1-ch, RCA (2.0 Vp-p, 1 KΩ) (using the 1st audio input)
	Network interface	1, RJ45 10M/100M/1000M self-adaptive Ethernet interface
	USB interface	2 × USB 2.0
General	Power supply	12 VDC
	Consumption (without HDD)	≤ 20 W
	Working temperature	-10 °C to +55 °C (+14 °F to +131 °F)
	Working humidity	10% to 90%
	Dimensions (W × D × H)	315 × 242 × 45 mm (12.4 × 9.5 × 1.8 inch)
Weight (without HDD)	≤ 2 kg (4.4 lb)	

PHYSICAL INTERFACES

INDEX	DESCRIPTION
1	VIDEO IN
2	AUDIO IN
3	AUDIO OUT
4	VGA
5	HDMI

INDEX	DESCRIPTION
6	USB Interface
7	Network Interface
8	Power Supply
9	Power Switch
10	GND



ACCESSORY



HLDS-1280ZJ-XS
Junction Box