



8CH 2MP TURBO HD DOME CAMERA KIT

HLTK4282TH-UMC



KEY FEATURES

- 8CH DVR with 2TB HDD
- 4 x 2MP high-performance dome cameras
- 4 x 18m cable, power splitter and power supply
- 2.8mm fixed focal lens
- EXIR 2.0, smart IR, up to 20 m IR distance
- 4 in 1 camera output (switchable TVI/AHD/CVI/CVBS)
- IP66, 12VDC

DVR FEATURES AND FUNCTIONS

Video Input and Transmission

- Self-adaptive HDTV/HD/SD/AHD/CVBS signal input
- Up to 4-ch 6 MP IP cameras input for DVR-208U-K1
- 8 MP/5 MP/4 MP HDTV video input and live view for DVR-208U-K1, and 5 MP/4 MP for DVR-204U-K1
- Defogging function enabled for the supported analog cameras
- Long distance transmission over UTP and coaxial cable: max. 800m for 1080p and 1200m for 720p HDTV signal

Compression and Recording

- H.265+/H.265/H.264+/H.264 encoding for the main stream, and H.265/H.264 for the sub-stream of analog cameras
- Connectable to H.265+/H.265/H.264+/H.264 IP cameras
- H.265+ can be enabled to improve encoding efficiency and reduce data storage costs
- Full channel recording at up to 8 MP resolution

Video Output

- Simultaneous HDMI/VGA output
- HDMI output at up to 4K (3840 × 2160) resolution for DVR-208U-F1

Storage and Playback

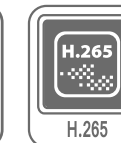
- 1 SATA interface (up to 8 TB capacity per HDD)
- 4/8-ch synchronous playback
- Smart search for efficient playback
- Supports the 3rd party cloud storage (Dropbox/Google Drive/Microsoft OneDrive)

Smart Function

- Supports multiple VCA (Video Content Analytics) events for both analog and smart IP cameras
- Supports line crossing detection and intrusion detection of all channels, and 2-ch sudden scene change detection
- VCA information overlay in live view and smart playback
- VQD (Video Quality Diagnostics)
- Supports PTZ control via Omnicast VMS of Genetec protocol

Network & Ethernet Access

- Hik-Connect & DDNS (Dynamic Domain Name System) for easy network management
- 1 RJ45 10M/100M self-adaptive Ethernet interface for DVR-204U-K1, and 1 RJ45 10M/100M/1000M self-adaptive Ethernet interface for DVR-208U-K1
- Output bandwidth limit configurable



FIRE • SECURITY • INTERCOMS

17 Millicent Street, Burwood, VIC 3125 Australia

Tel: 1300 PSA PRODUCTS (1300 772 776)

Fax: (03) 9888 9993

enquiry@psaproducts.com.au

psaproducts.com.au





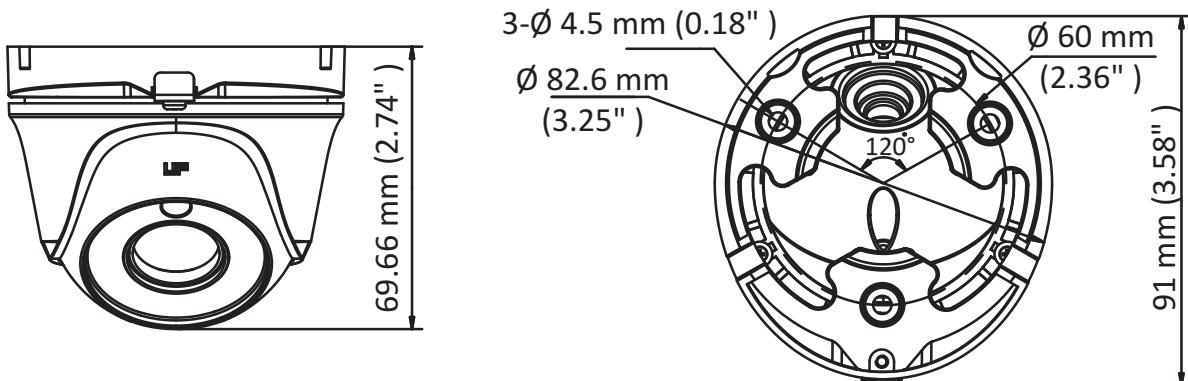
CAMERA SPECIFICATIONS

Model

HLTHC-T120-M

| Camera | |
|--------------------------|--|
| Image Sensor | 2 MP CMOS image sensor |
| Signal System | PAL/NTSC |
| Resolution | 1920 (H) × 1080 (V) |
| Min. Illumination | 0.01 Lux@(F1.2, AGC ON), 0 Lux with IR |
| Shutter Time | 1/25 (1/30) s to 1/50,000 s |
| Lens | 2.8 mm |
| Horizontal Field of View | 103° (2.8 mm) |
| Lens Mount | M12 |
| Day & Night | IR cut filter |
| Angle Adjustment | Pan: 0° to 360°, Tilt: 0° to 75°, Rotation: 0° to 360° |
| Synchronization | Internal synchronization |
| Video Frame Rate | PAL: 1080p@25fps NTSC: 1080p@30fps |
| Menu | |
| AGC | High/Medium/Low/Off |
| D/N Mode | Auto/Color/BW (Black and White) |
| BLC | Support |
| DWDR | Support |
| Language | English |
| Functions | Brightness, Sharpness, DNR, Mirror, Smart IR |
| Interface | |
| Video Output | 1 HD analog output |
| Switch Button | TVI/AHD/CVI/CVBS |
| General | |
| Operating Conditions | -40 °C to 60 °C (-40 °F to 140 °F), Humidity: 90% or less (non-condensation) |
| Power Supply | 12 VDC ±15% |
| Power Consumption | Max. 4 W |
| Protection Level | IP66 |
| Material | Metal |
| IR Range | Up to 20 m |
| Dimensions | Ø 82.6 mm × 69.66 mm (Ø 3.38" × 2.74") |
| Weight | 230 g (0.51 lb.) |

DIMENSIONS





DVR SPECIFICATIONS

Model

HLDVR-208U-K1

| Model | | HLDVR-208U-K1 | |
|--------------------|----------------------|---|---|
| Video/Audio input | Video compression | H.265+/H.265/H.264+/H.264 | |
| | Analog video input | 8-ch BNC interface (1.0 Vp-p, 75 Ω), supporting coaxitron connection | |
| | HDTVl input | 8 MP, 5 MP, 4 MP, 3 MP, 1080p30, 1080p25, 720p60, 720p50, 720p30, 720p25 | |
| | AHD input | 5 MP, 4 MP, 1080p25, 1080p30, 720p25, 720p30 | |
| | HDCVl input | 4 MP, 1080p25, 1080p30, 720p25, 720p30 | |
| | CVBS input | PAL/NTSC | |
| | IP video input | 4-ch Up to 6 MP resolution Supports H.265+/H.265/H.264+/H.264 IP cameras | |
| | Audio compression | G.711u | |
| Video/Audio output | HDMI/VGA output | VGA: 1-ch, 1920 × 1080/60Hz, 1280 × 1024/60Hz, 1280 × 720/60Hz, 1024 × 768/60Hz HDMI: 1-ch, 4K (3840 × 2160)/30Hz, 2K (2560 × 1440)/60Hz, 1920 × 1080/60Hz, 1280 × 1024/60Hz, 1280 × 720/60Hz, 1024 × 768/60Hz | |
| | Encoding resolution | 8 MP/5 MP/4 MP/ 3 MP/1080p/720p/WD1/4CIF/VGA/CIF | |
| | Frame rate | Main stream: 8 MP@8fps/5 MP@12fps/4 MP@15fps/3 MP@18fps 1080p/720p/WD1/4CIF/VGA/CIF@25fps (P)/30fps (N) Sub-stream: WD1/4CIF/CIF@25fps (P)/30fps (N) | |
| | Video bit rate | 32 Kbps to 10 Mbps | |
| | Audio output | 1-ch, RCA (Linear, 1 KΩ) | |
| | Audio bit rate | 64 Kbps | |
| | Dual stream | Support | |
| | Stream type | Video, Video & Audio | |
| | Synchronous playback | 8-ch | |
| | Network management | Remote connections | 64 |
| | | Network protocols | TCP/IP, PPPoE, DHCP, Hik-Connect, DNS, DDNS, NTP, SADP, NFS, iSCSI, UPnP™, HTTPS, ONVIF |



Model

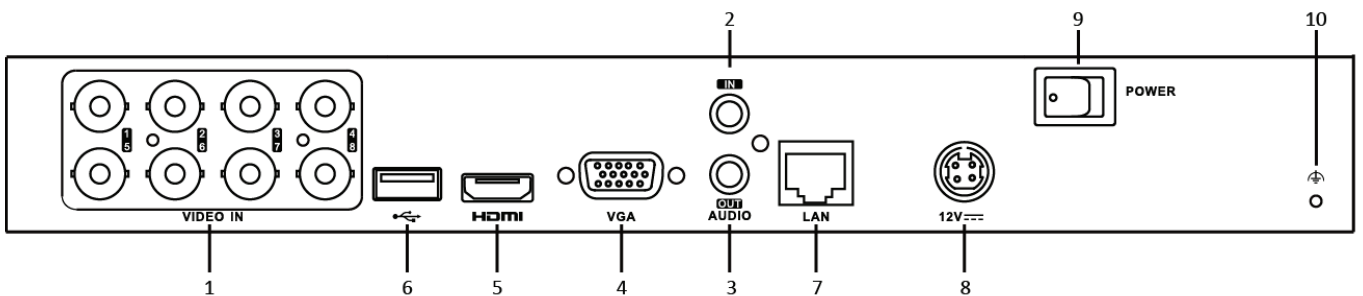
HLDVR-208U-K1

| | | |
|--------------------|---------------------------|---|
| | | |
| Hard disk | SATA | 1 SATA interface |
| | Capacity | Up to 8 TB capacity for each disk |
| External interface | Two-way audio input | 1-ch, RCA (2.0 Vp-p, 1 KΩ) (using the 1st audio input) |
| | Network interface | 1, RJ45 10M/100M/1000M self-adaptive Ethernet interface |
| | USB interface | 2 × USB 2.0 |
| General | Power supply | 12 VDC |
| | Consumption (without HDD) | ≤ 20 W |
| | Working temperature | -10 °C to +55 °C (+14 °F to +131 °F) |
| | Working humidity | 10% to 90% |
| | Dimensions (W × D × H) | 315 × 242 × 45 mm (12.4 × 9.5 × 1.8 inch) |
| | Weight (without HDD) | ≤ 2 kg (4.4 lb) |

PHYSICAL INTERFACES

| INDEX | DESCRIPTION |
|-------|-------------|
| 1 | VIDEO IN |
| 2 | AUDIO IN |
| 3 | AUDIO OUT |
| 4 | VGA |
| 5 | HDMI |

| INDEX | DESCRIPTION |
|-------|-------------------|
| 6 | USB Interface |
| 7 | Network Interface |
| 8 | Power Supply |
| 9 | Power Switch |
| 10 | GND |



ACCESSORY



HLDS-1272ZJ-110
Wall Mounting Bracket



HLDS-1275ZJ-SUS
Vertical Pole
Mounting Bracket



HLDS-1276ZL-SUS
Corner Mounting Bracket



HLDS-1280ZJ-XS
Junction Box