

# TDN WDR IR MFZ Ball Camera

HEW2PR2/HEW4PR2

Honeywell's new HEW2PR2/HEW4PR2 ball cameras are taking quality and reliability to the next level, providing outstanding picture clarity and hassle-free flexible system integration.

## Superior Image Quality

- Full HD 1080p 25/30 fps image with a 1/2.7" 2 megapixel sensor or full HD 4 MP 20 fps image with a 1/3" 4 megapixel sensor
- Wide Dynamic Range, up to 120 dB, ensures glare-free images
- True Day/Night provides vivid color images by day and clear black-and-white images at night with ICR
- Excellent low-light performance with 3D noise reduction, saving storage and bandwidth

## Flexible Surveillance Solution

- 2.7–12 mm motorized focus/zoom lens at F1.4
- H.264 and MJPEG codec, triple stream support
- IR LEDs provide up to 200 ft (60 m) of illumination in dimly lit or nighttime scenes (depending on scene reflectance)
- Smart IR technology provides even distribution of IR
- Weatherproof (IP66) camera housing
- -30°C to 60°C (-22°F to 140°F) working temperature
- Plug-and-play compatible with Honeywell 4/8/16-channel Performance Series Embedded NVRs

## Easy to Install and Use

- Built-in PoE (Power over Ethernet) eliminates need for separate power supply and associated wiring; 12 VDC inputs where PoE power is unavailable
- Remote configuration through web client or from the NVR
- Compatible with Honeywell's HQA-BB2 junction box, HQA-WK wall mount, HQA-PM pole mount, and HB34S2-CM corner mount



## Market Opportunities

These flexible, fully featured cameras are ideal for a wide range of surveillance applications, providing excellent picture quality at minimal bandwidth while offering reliable protection against dust, dirt, and water.

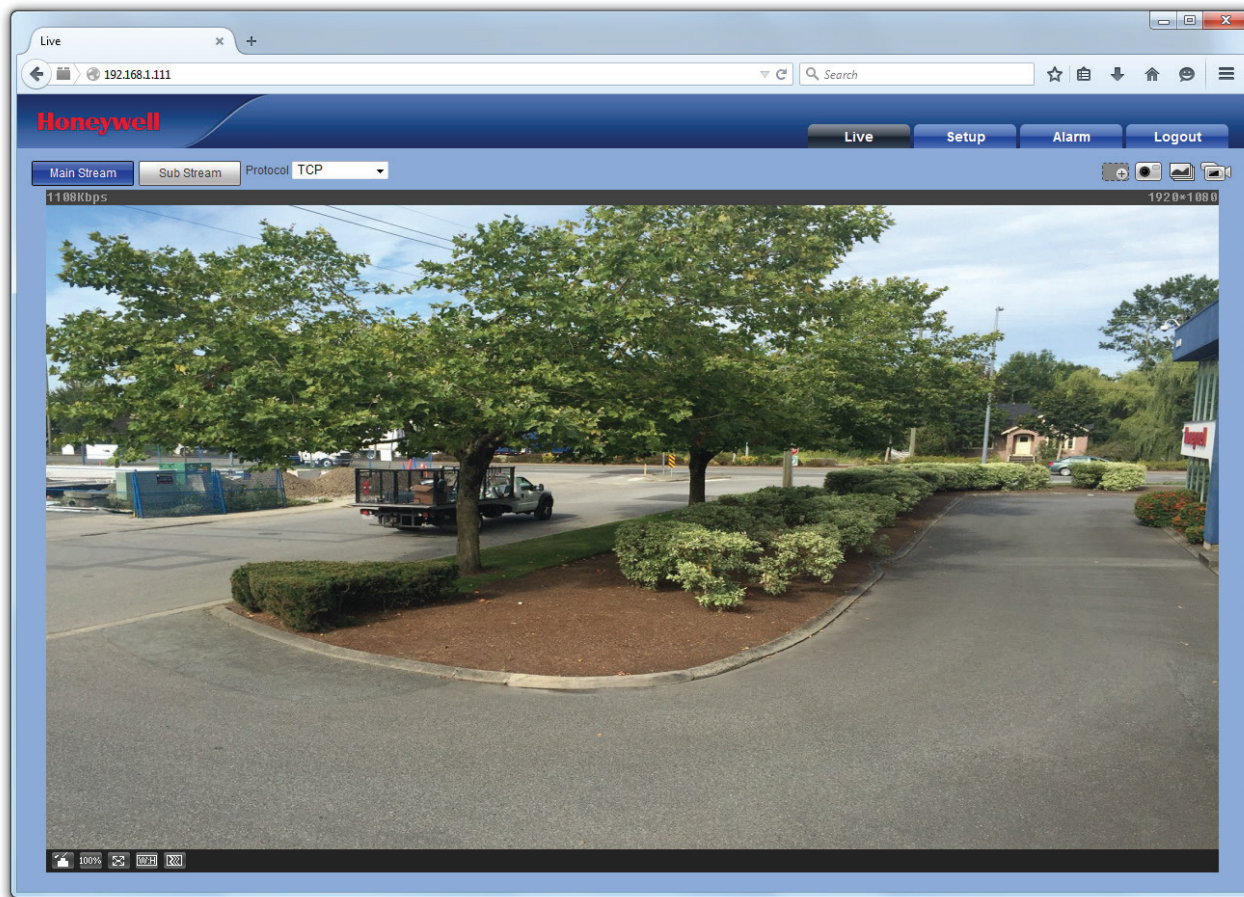
## FEATURES AND BENEFITS

- |  |  |  |  |
|--|--|--|--|
| <ul style="list-style-type: none"><li>• 1/2.7" 2 MP or 1/3" 4 MP progressive scan imager</li><li>• 2.7–12 mm MFZ lens</li><li>• True day/night (IR-cut filter)</li><li>• Wide dynamic range up to 120 dB</li></ul> | <ul style="list-style-type: none"><li>• Low-light performance down to 0.1 lux (color) or 0 lux with IR LEDs on</li><li>• Up to 200 ft (60 m) IR illumination, depending on scene reflectance</li></ul> | <ul style="list-style-type: none"><li>• H.264 Main Profile compression</li><li>• Triple stream support</li><li>• Supports up to 20 connections</li><li>• Corridor mode</li><li>• PoE, 12 VDC support</li></ul> | <ul style="list-style-type: none"><li>• Plug-and-play compatible with Honeywell Performance Series Embedded NVRs</li><li>• IP66-rated weatherproof housing</li></ul> |
|--|--|--|--|

# TDN WDR IR MFZ Ball Camera

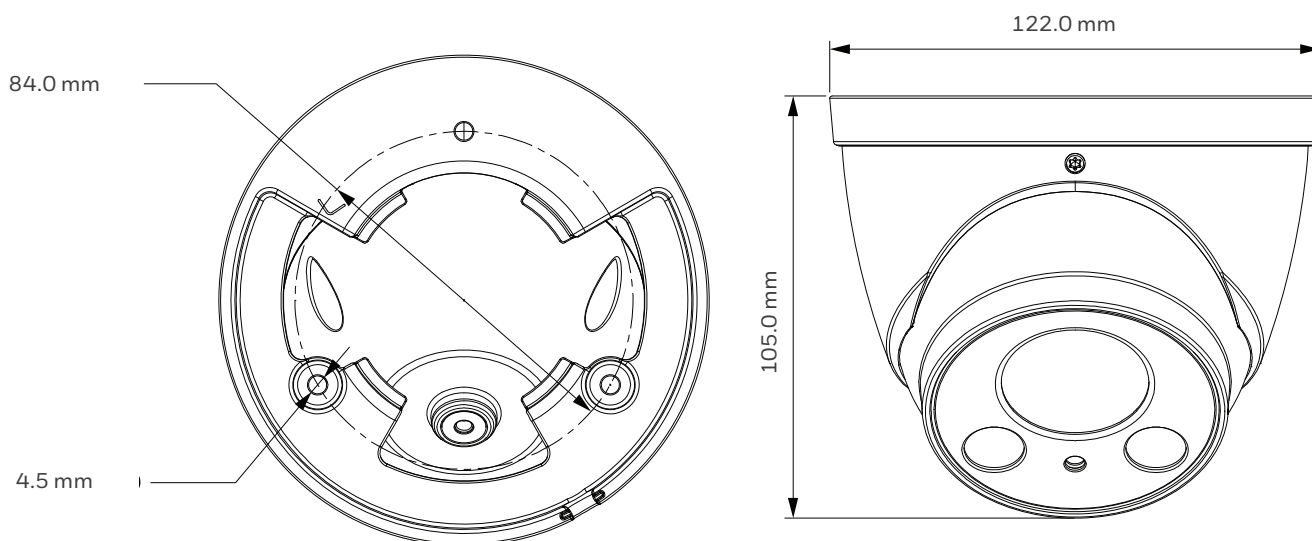
## Security Features

The camera can be configured to automatically detect and respond to events such as motion in the scene and/or camera tampering. Automated responses include sending a notification through email, FTP, and/or HTTP, and sending a still image of the event through email and/or FTP. Setup can be done using the web client or from an NVR.



## DIMENSIONS

### HEW2PR2/HEW4PR2 Dimensions



# TDN WDR IR MFZ Ball Camera

## SPECIFICATIONS

| OPERATIONAL              |   |
|--------------------------|---|
| VIDEO STANDARD           | NTSC/PAL  |
| SCANNING SYSTEM          | Progressive scan  |
| IMAGE SENSOR             | <b>HEW2PR2:</b> 1/2.7" 2 MP CMOS<br><b>HEW4PR2:</b> 1/3" 4 MP CMOS  |
| NUMBER OF PIXELS (H×V)   | <b>HEW2PR2:</b> 1920×1080 (2 MP)<br><b>HEW4PR2:</b> 2688×1520 (4 MP)  |
| MINIMUM ILLUMINATION     | 0.1 lux, F1.4 (color)<br>0 lux (B/W with IR LEDs on)  |
| S/N RATIO                | 50 dB or more   |
| ELECTRONIC SHUTTER SPEED | 1/3–1/100 000 s   |
| IR DISTANCE              | Up to 200 ft (60 m), depending on scene reflectance   |
| DAY/NIGHT                | Auto(ICR)/Color/BW  |
| BACKLIGHT COMPENSATION   | BLC/HLC/WDR (120 dB)  |
| WHITE BALANCE            | Auto/Manual   |
| GAIN CONTROL             | Auto/Manual   |
| NOISE REDUCTION          | 3DNR  |
| PRIVACY MASKING          | Up to 4 areas   |
| MOTION DETECTION         | Up to 4 areas   |
| LENS                     | 2.7–12 mm, MFZ, F1.4  |
| HORIZONTAL ANGLE OF VIEW | 86° - 30°   |
| CORRIDOR MODE            | Yes   |
| VIDEO                    |   |
| VIDEO COMPRESSION        | H.264/H.264H/H.264B/MJPEG   |
| FRAME RATE               | <b>HEW2PR2:</b> 25/30 fps @ 1920×1080 (2 MP), 25/30fps @ 1280×1024 (SXGA), 25/30fps @ 1280×960 (1.3 MP), 1280×720 (720p), 704×576/704×480 (D1), 352×288/352×240 (CIF)<br><b>HEW4PR2:</b> 20 fps @ 2688×1520 (4 MP); 20 fps @ 2560 × 1440 (4 MP); 25/30 fps @2304×1296 (3 MP), 1920×1080 (1080p), 25/30fps @ 1280×1024 (SXGA), 25/30fps @ 1280×960 (1.3 MP), 1280×720 (720p), 704×576/ 704×480 (D1), 352×288/352×240 (CIF) |
| BIT RATE (H.264)         | 32 Kbps – 10 Mbps   |
| LOCAL STORAGE            | microSD, 128 GB max. (not supplied)   |
| NETWORK                  |   |
| ETHERNET                 | RJ-45 (10/100Base-T)  |
| PROTOCOLS*               | IPv4/IPv6, HTTP, HTTPS, SSL, TCP/IP, UDP, UPnP, ICMP, IGMP, SNMP, RTSP, RTP, SMTP, NTP, DHCP, DNS, PPPoE, DDNS, FTP, IP Filter, QoS, Bonjour, 802.1X  |
| COMPATIBILITY            | ONVIF Profile S, Profile G*   |
| MAX. USER ACCESS         | 20 users  |
| MOBILE DEVICES           | HonView Touch for iPhone and Android devices  |
| ELECTRICAL               |   |
| POWER SUPPLY             | PoE IEEE 802.3af Class 0, 12 VDC  |
| POWER CONSUMPTION        | <b>HEW2PR2:</b> 7.0 W max.<br><b>HEW4PR2:</b> 7.5 W max.  |
| MECHANICAL               |   |
| DIMENSIONS               | 122.0 × 102.0 mm (4.80 × 4.02 in.)  |
| WEIGHT                   | 1.21 lb (0.55 kg)   |
| CONSTRUCTION             | Die-cast aluminum housing with powder coat  |
| CONSTRUCTION COLOR       | RAL 7022 (Gray)   |
| ENVIRONMENTAL            |   |
| TEMPERATURE              | –30°C to 60°C (–22°F to 140°F)  |
| RELATIVE HUMIDITY        | 0–95%, non-condensing   |
| INGRESS PROTECTION       | IP66  |
| REGULATORY               |   |
| EMISSIONS                | FCC Part 15, CE (EN 55032)  |
| IMMUNITY                 | CE (EN 50130-4)   |
| SAFETY                   | North America UL Listed to UL/CSA 60950-1, CE (EN 60950-1)  |

\* Some development may be required in specific user cases to support some of these protocols in the field as they mature over time.

# TDN WDR IR MFZ Ball Camera

## SPECIFICATIONS

### SYSTEM INTEGRATION

#### OPEN IP INTEGRATION

ONVIF support and open API software integration. Refer to [www.onvif.org](http://www.onvif.org) for the ONVIF specification and the Honeywell Open Technology Alliance website (<http://www.security.honeywell.com/hota/>) to learn more about our open and integrated solutions



### SYSTEM COMPATIBILITY

#### NVRS

|             |   |
|-------------|---|
| HEN041*2(X) | H.264 4-Channel 1080p<br>Embedded Network Video Recorder  |
| HEN081*2(X) | H.264 8-Channel 1080p<br>Embedded Network Video Recorder  |
| HEN161*2(X) | H.264 16-Channel 1080p<br>Embedded Network Video Recorder |

## ORDERING

### ACCESSORIES

#### MOUNTS

|           |              |
|-----------|--------------|
| HQA-BB2   | Junction box |
| HQA-WK    | Wall mount   |
| HQA-PM    | Pole mount   |
| HB34S2-CM | Corner mount |

### CAMERAS

|         |  |
|---------|--|
| HEW2PR2 | Network TDN WDR IR Ball Camera, 1/2.7" CMOS, 2 MP, 2.7-12 mm MFZ, 2 High Power IR LEDs, PoE, H.264 |
| HEW4PR2 | Network TDN WDR IR Ball Camera, 1/3" CMOS, 4 MP, 2.7-12 mm MFZ, 2 High Power IR LEDs, PoE, H.264   |

### For more information

[www.honeywellsecurity.com.au](http://www.honeywellsecurity.com.au)

### Honeywell Security & Fire (Pacific)

Honeywell Ltd  
9 Columbia Way, Norwest Business Park  
BAULKHAM HILLS NSW 2153  
Tel: (02) 9899 4155

Honeywell reserves the right, without notification, to make changes in product design or specifications.

HSFV-PerfR2-MFZBall-01-UK(O117)DS-E  
January 2017  
© 2017 Honeywell International Inc.

### PSA Products

17 Millicent Street, Burwood, VIC 3125 Australia  
Tel: 1300 PSA PRODUCTS (1300 772 776)  
Fax: (03) 9888 9993  
[enquiry@psaproducts.com.au](mailto:enquiry@psaproducts.com.au) [psaproducts.com.au](http://psaproducts.com.au)

# Honeywell

AUTHORIZED DISTRIBUTOR

**PSA** PSA Products  
FIRE • SECURITY • INTERCOMS