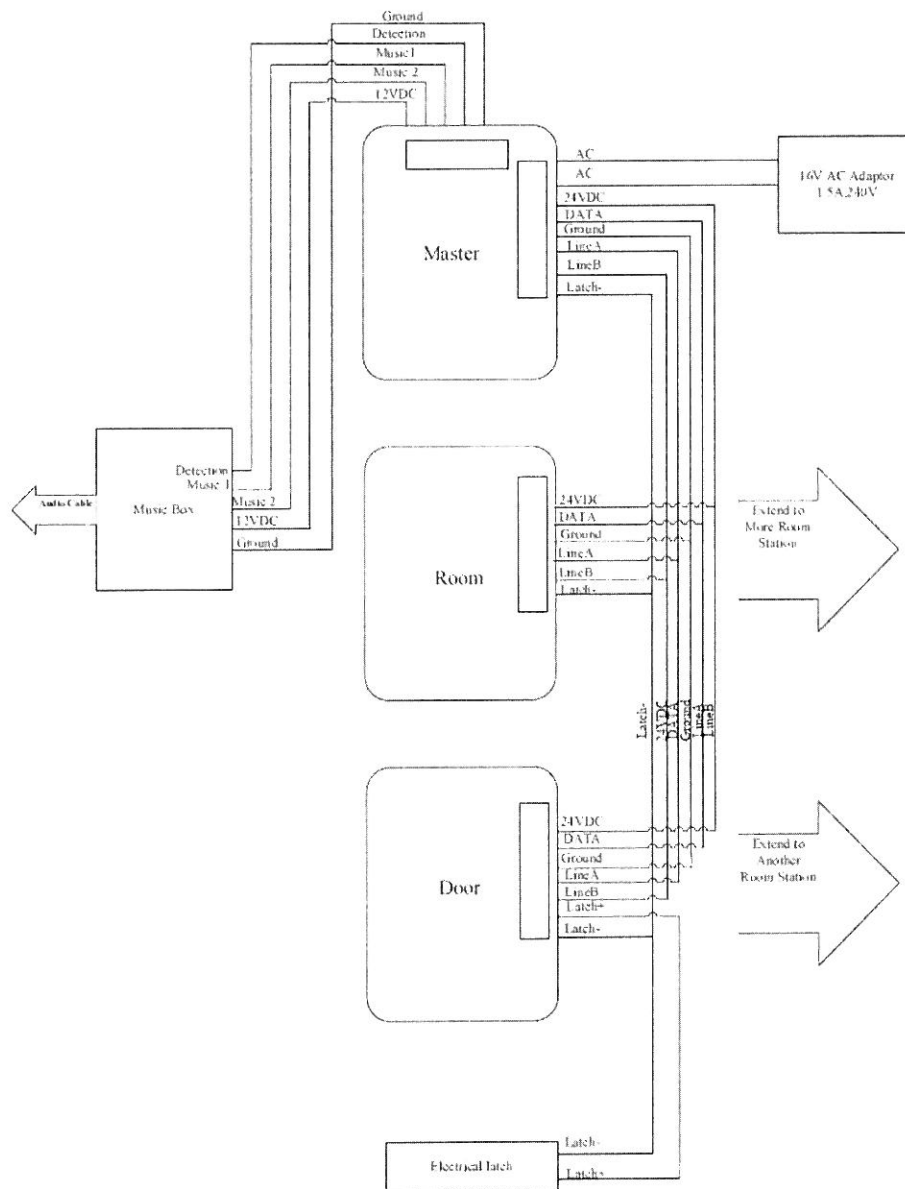


## Installation



- Before installing the system, refer to “ID settings” on page 5.
- Use 6 core cable between all stations.
- Music function is required additionally --- between master station and music module.
- Figure 8 cable is required between the Door Station and electric door latch.
- Wire each station according to the wiring diagram, follow the colour codes on each terminal carefully.