

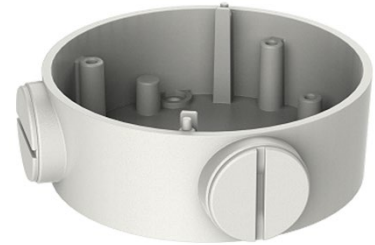
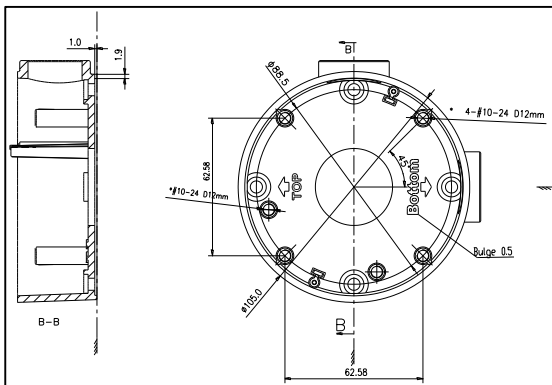
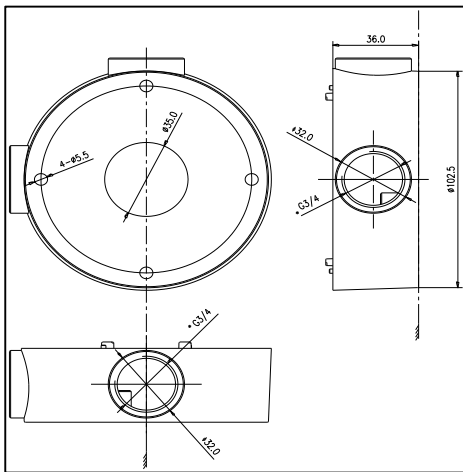
# JUNCTION BOX FOR BULLET CAMERA

## HLDS-1260ZJ

### Features:

- Aluminum alloy material with surface spray treatment

### Dimension:



### Parameter:

Model	DS-1260ZJ
Parameters	Junction Box for Bullet Camera
Appearance	Hikvision White
Material	Aluminum Alloy
Dimension	Φ 88.5 mm
Weight	251g

### Notice:

- The bracket should be installed on flat wall
- Waterproof rubber is necessary for outdoor application
- The wall must be capable of supporting over 3 times as much as the total weight of the camera and the mount.
- The maximum load capacity of the bracket is 4.5KG

### Model Suitable:

HLIPC-B640H-Z